



# unigy I

## 12AVR170ET

- Front access design for easy installation and maintenance
- Space saving Absorbed Glass Mat (AGM) construction (48 volt system fits in 23" racks)
- Individual plate formation optimizes cell voltage balance and performance
- Reinforced case resists bulging and meets safety requirements (UL94 V-0)
- Computer-aided design and manufacturing control processes and standards to ensure quality products
- All batteries meet or exceed IEEE 485 and Telcordia capacity requirements.
- Battery design and construction meet UL recognition requirements

### SPECIFICATIONS

**Nominal Voltage:** 12-Volt/170 ampere-hours @ 8 hr. rate to 1.75 final volts/cell

**Positive Plate:** Pure lead, low-calcium, high-tin alloy

**Negative Plate:** Lead calcium alloy

**Post Seal:** Epoxy-sealed

**Terminal:** Front access, 1/4" - 20 threaded insert

**Container:** Flame-retardant, polypropylene - UL 94 V-0/>28% L.O.I.

**Safety Vent:** Low positive pressure, self-sealing w/ flame arrestor

**Float Voltage:** 2.25 volts per cell ± 0.01 vpc (Range: 13.44 to 13.56 volts per 6-cell unit)



**Battery Life:** 10 years in float applications at 77°F/25°C

**Dimensions:** 22.00" (558.8 mm) L x 4.90" (124.5 mm) W x 12.60" (320 mm) H

**Weight:** 120 lbs. (54.4 kg)

### DISCHARGE RATE IN AMPS<sup>†</sup> @77°F

Volts Per Cell (V.P.C.)	1 HR.	3 HR.	5 HR.	8 HR.	10 HR.	12 HR.	20 HR.	24 HR.
1.75	108	46.1	30.8	21.2	17.4	14.8	9.38	7.96
1.80	103	45.3	30.3	20.9	17.2	14.6	9.25	7.84
1.85	94.4	43.4	29.2	20.2	16.6	14.1	8.93	7.56
1.88	88.0	41.3	27.9	19.4	15.9	13.5	8.56	7.25
1.90	83.1	39.5	26.8	18.6	15.3	13.0	8.22	6.96

<sup>†</sup> Subject to change without notice.



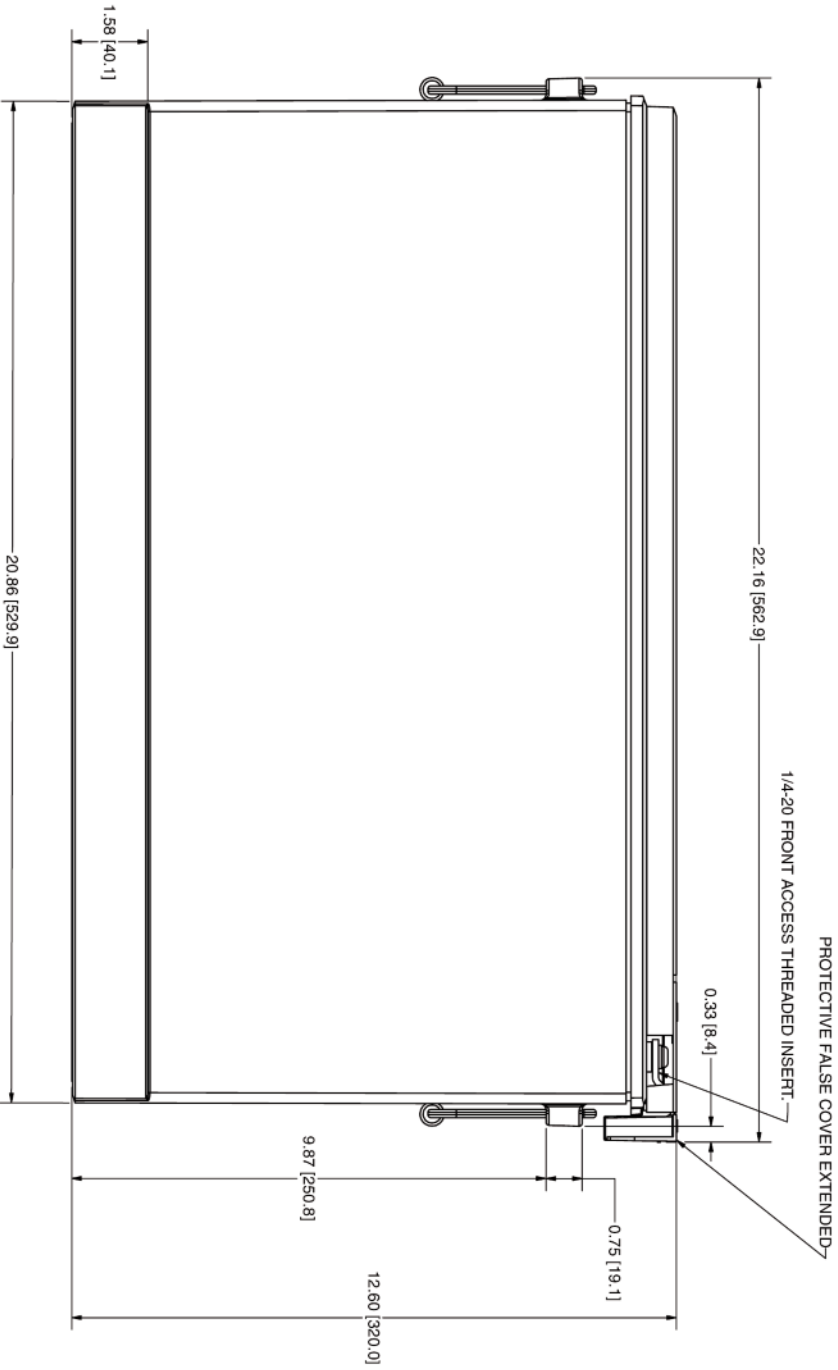
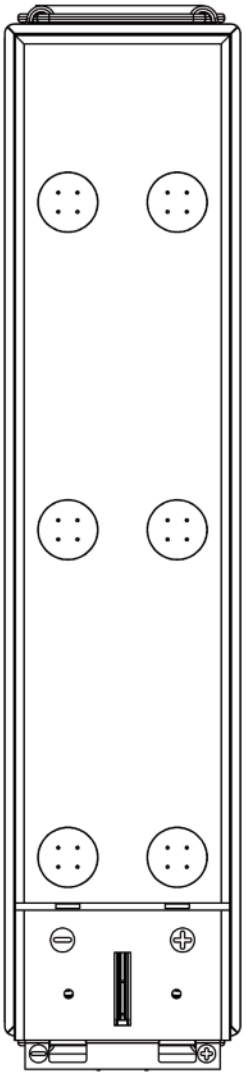
UL Recognized Component



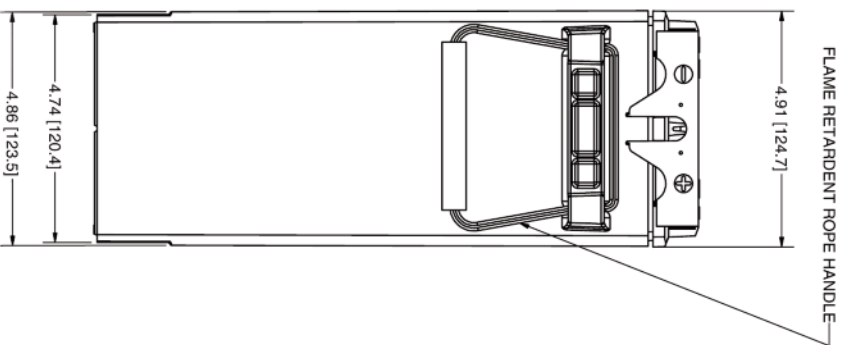
East Penn Manufacturing Co., Lyon Station, PA 19536-0147  
Domestic & International Inquiries Call: 610-682-3263  
Phone: 610-682-6361 • Fax: 610-682-0891  
www.eastpennunigy.com • e-mail: sales@eastpennunigy.com

QUALITY SYSTEM  
CERTIFIED TO  
**ISO 9001**  
**ISO/TS 16949**  
**ISO 14001**

All data subject to change without notice. No part of this document may be copied or reproduced, electronically or mechanically, without written permission from the company.



PROTECTIVE FALSE COVER EXTENDED  
1/4-20 FRONT ACCESS THREADED INSERT.



FLAME RETARDENT ROPE HANDLE