

The Narada High Rate range of VRLA batteries provide reliable battery backup to any High Rate UPS application.

All Narada High Rate series batteries use optimized plate technology and a patented post design offering exceptional service life.



Technical Features:

- ◆ Flame Retardant ABS Cover and Container, UL94 V-0, LOI>28%
- ◆ Patented copper alloy terminal design
- ◆ Epoxy TPS design for high reliability post seal
- ◆ 6 months of storage at 77°F (25°C) with a capacity > 80%
- ◆ Initial capacity at 100%
- ◆ Low pressure one-way flame arresting valve(s) UL1989
- ◆ Absorbent Glass Mat (AGM) Sealed Technology, Recombination efficiency of 99.9%

Compliance and Safety:

- ◆ **ISO 9001:2000 and ISO 14001:2004 certified production facilities**
- ◆ UL Recognized Component 924, for use in or with listed UL1778, UL1989 and UL924 systems
- ◆ IEC60896-21/22
- ◆ BS6290 part 4 / Eurobatt guide
- ◆ **TL9001 / ISO9001(TUV) Quality System**
- ◆ Battery installation compliant with: EN 50272-2
- ◆ All batteries meet or exceed IEEE recommended practices

Transportation:

- ◆ Classified as Nonspillable UN 2800 and meet the Nonspillable criteria listed in DOT-CFR Title 49, 171-189 (d) (3) (i) and (ii) and exempt from CFR 49, Subchapter C requirements

WPC @ 15 min 1.67 VPC / 77°F (25°C)	550 watts
WPC @ 5 min 1.60 VPC / 77°F (25°C)	1096 watts
Ah @ 20hr 1.75 VPC / 77°F (25°C)	148 Ah

Nominal voltage	12V
Float charge voltage @25°C (2.23 – 2.27VPC)	13.4 – 13.6
Max. charge current (A) (5 hour rate @ 1.75VPC)	35 Amps

Electrolyte Absorbed H ₂ SO ₄	1.300
--	-------

Short circuit current (A)	4270 Amps
Internal resistance (mΩ)	3.44 mΩ

Terminal Type	Torque
M6-F	78 in-lbs (8 ± 1 Nm)

Dimension	in	mm
Length	13.3	338
Length Base	13.3	338
Width	6.77	172
Overall Height	10.98	279

Weight	Lbs.	Kg
	101	46

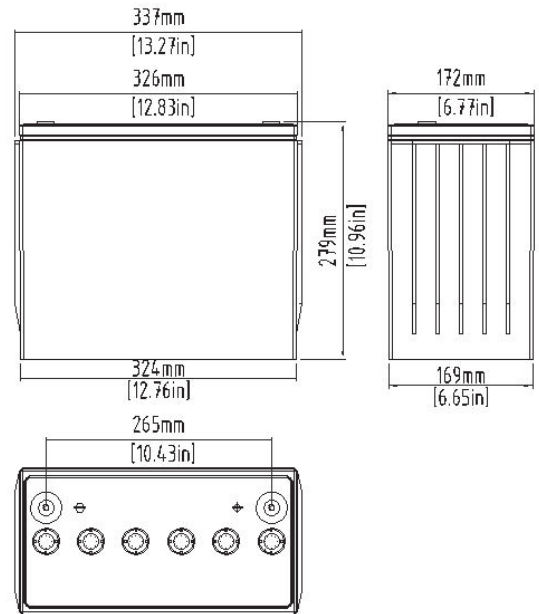
Operating Parameters

Float Charging Voltage	13.5V / 2.25VPC @ 77°F (25°C)
Equalize /Cycle	14.0V – 14.3V 2.33VPC to 2.38VPC @ 77°F (25°C)
See Operations and Maintenance Manual for specific guidelines and recharge times	

Charging Temperature Compensation	-2 mV/cell/°F > 77°F (-3.6 mV/cell /°C > 25°C)
	+2 mV/cell/°F < 77°F (+3.6 mV/cell/°C < 25°C)

Maximum AC Ripple (Charger)	0.5% RMS, 1.5% peak-to-peak for float charge voltage for best results
-----------------------------	---

Operating Temperature Range	
Nominal	+74°F (24°C) to 80°F (27°C)
Charge	-20°F (-28°C) to +122°F (50°C)
Discharge	-40°F (-40°C) to +140°F (60°C)
Storage Temperature Range	-4°F (-20°C) to +104°F (40°C)



Constant Power Discharge Watts per cell (25°C, 77°F)

End Cell Voltage	5min	10min	15min	20min	30min	40min	50min	1h	2h
1.60V	1096	758	577	472					
1.63V	1075	743	566	463	353				
1.67V	1044	722	550	449	343	277	232	199	110
1.70V	1023	707	539	440	336	271	227	195	108
1.75V	1002	693	528	432	329	263	220	189	106
1.80V	970	671	511	418	319	258	216	185	105
1.83V	908	628	478	391	298	252	211	181	104
1.85V	866	599	456	373	285	244	204	175	102

Constant Current Discharge Amperes (25°C, 77°F)

End Cell Voltage	5min	15min	30min	1h	2h	4h	8h	10h	20h
1.60V	599	313	187						
1.67V	527	300	184	105	57.4	30.9	16.8	14.3	7.51
1.70V	498	293	181	104	57.2	30.8	16.7	14.2	7.46
1.75V	455	276	174	102	56.6	30.7	16.5	14.1	7.40
1.80V	412	251	163	98	55.6	30.5	16.4	14.0	7.35
1.83V	382	231	152	94	54.8	30.4	16.2	13.6	7.14
1.85V	353	214	144	92	54.5	30.3	15.8	13.1	6.88

China: **Narada**
 NARADA POWER SOURCE CO.,LTD.
 No.459 Wensan Road, Hangzhou, Zhejiang, P.R.China

MPINarada MPINarada
 44 Oak St
 Newton, MA 02464
 Tel: 800-982-4339

sales@mpinarada.com www.mpinarada.com

