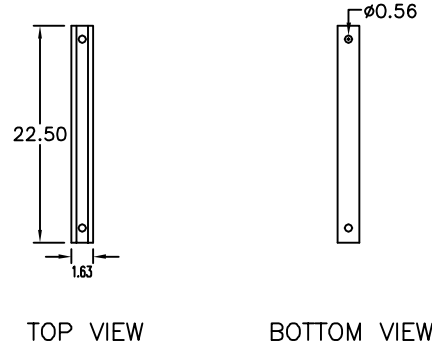
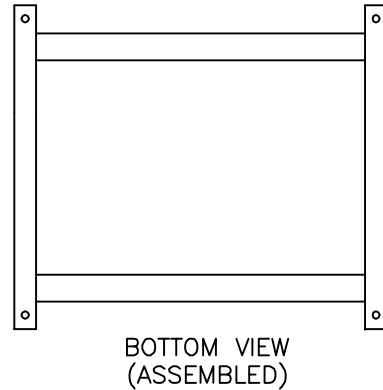
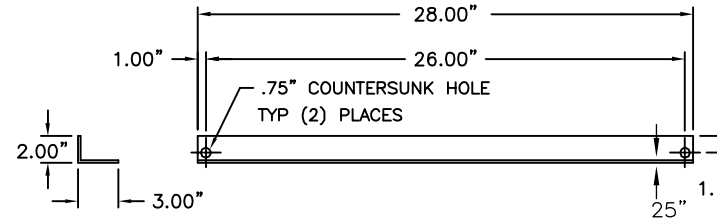
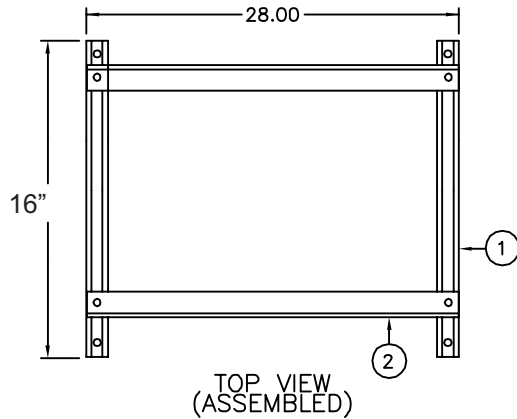


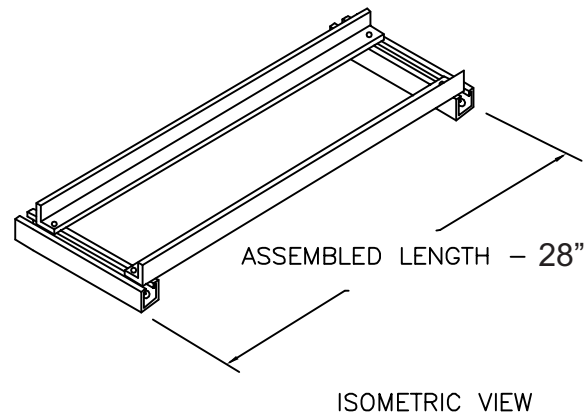
RACK ASSEMBLY INSTRUCTIONS

- READ ALL INSTRUCTIONS FULLY BEFORE ATTEMPTING TO INSTALL OR SET UP RACK.

- 1 CHECK RECEIVED PARTS AGAINST PARTS LIST BELOW.
- 2 RACK LOCATION SHOULD BE:
 - A. AWAY FROM OUTSIDE SOURCES OF HEAT (DIRECT SUN-LIGHT, RADIATORS, STEAM PIPES ETC.)
 - B. ON LEVEL GROUND.
 - C. EASILY ACCESSABLE FOR CELL READINGS AND WATER ADDITIONS, IF APPLICABLE.
- 3 MARK LOCATION ON FLOOR AND POSITION C - CHANNELS.
- 4 INSTALL RAILS IN APPROPRIATE POSITION FOR BATTERY SYSTEM TO BE USED AND HAND TIGHTEN SCREWS.
- 5 CHECK THAT RAILS ARE IN THE CORRECT POSITION AND TIGHTEN ALL RAIL SCREWS.
- 6 BOLT C - CHANNELS TO FLOOR.
- 7 ALL RACKS ARE MADE OF STEEL ANGLE SUPPORTS AND ARE COATED WITH ACID-RESISTING BAKED ENAMEL.



C - CHANNEL



5	BATTERY RAIL INSULATION	2	
4	COUNTERSUNK 1/4" SCREWS	4	
3	SPRING STEEL NUTS	4	ZA1001/4EG-10
2	ADJUSTABLE RAILS	2	
1	C - CHANNELS	2	A-1200-HS
NO.	DESCRIPTION	QTY	PART NO.

TOLERANCES (EXCEPT AS NOTED)		DEFINITIONS			ABS 1065 Market Street Paterson, NJ 07513 (973) 523-5151
		NO.	DATE	BY	
DECIMAL	1				RB-28 Z0 BATTERY RACK
	2				
FRACTIONAL	3				DRAWN BY PmD SCALE NONE MATERIAL CHECK'D DATE 10/08/2013 DRAWING NO.
	4				
ANGULAR	5				RB-28
	6				