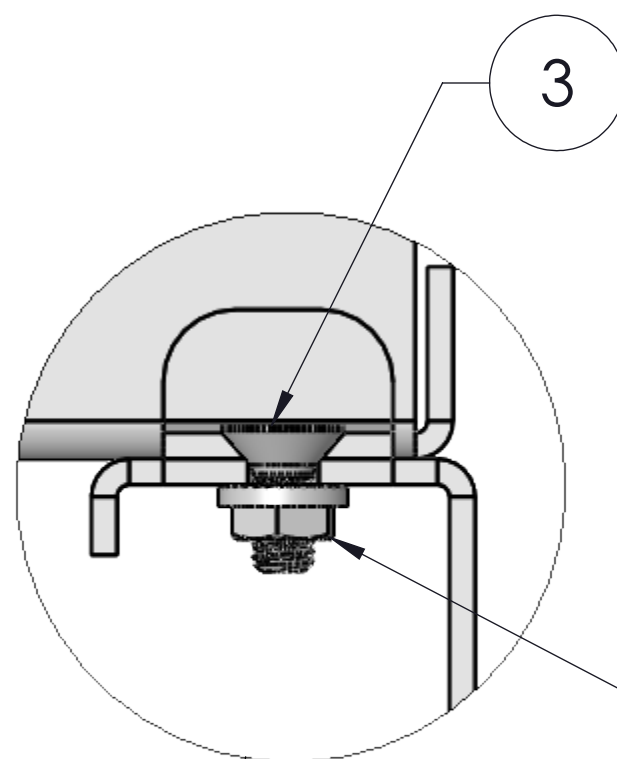
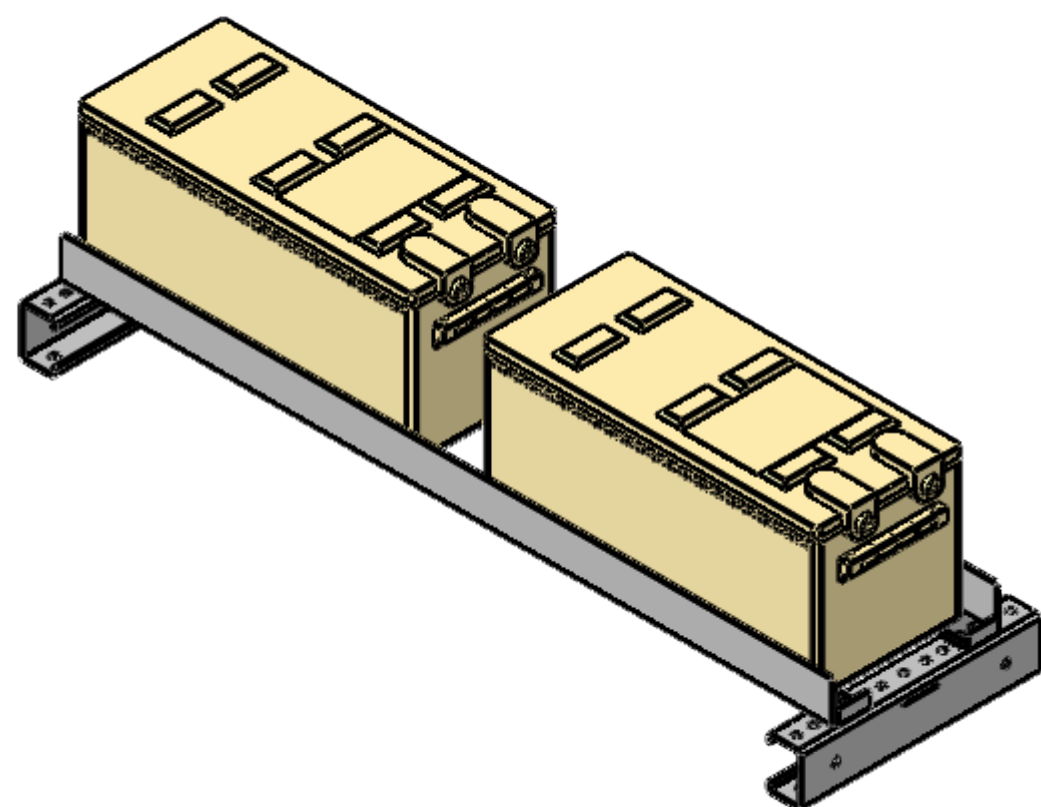
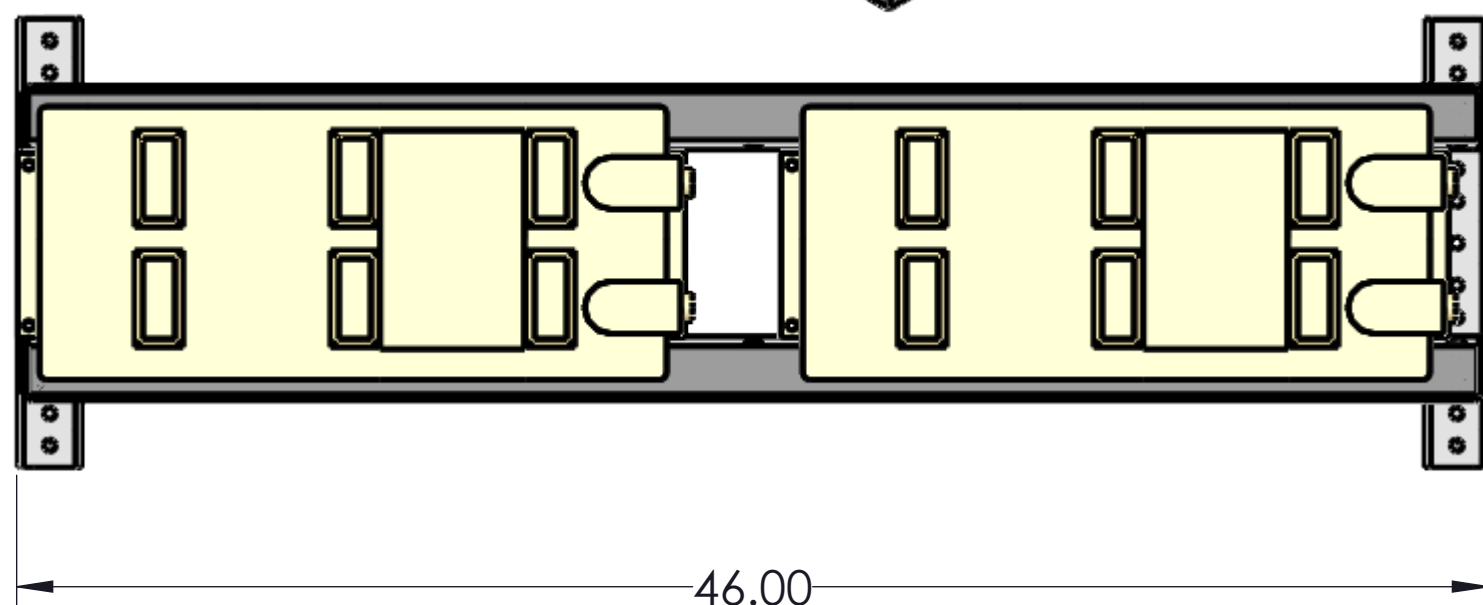


REF.

ITEM NO.	PART NUMBER	DESCRIPTION	Default/ QTY.
1	BRC-14	BASE C-CHANNEL	2
2	BRR-46	BATTERY RAIL FOR 46" RACK	2
3	BRH-003	FLAT HEAD SCREW SS 5/16"-18 X 3/4"	8
4	BRH-004	5/16"-18 SS SERRATED FLANGED LOCK NUT	8



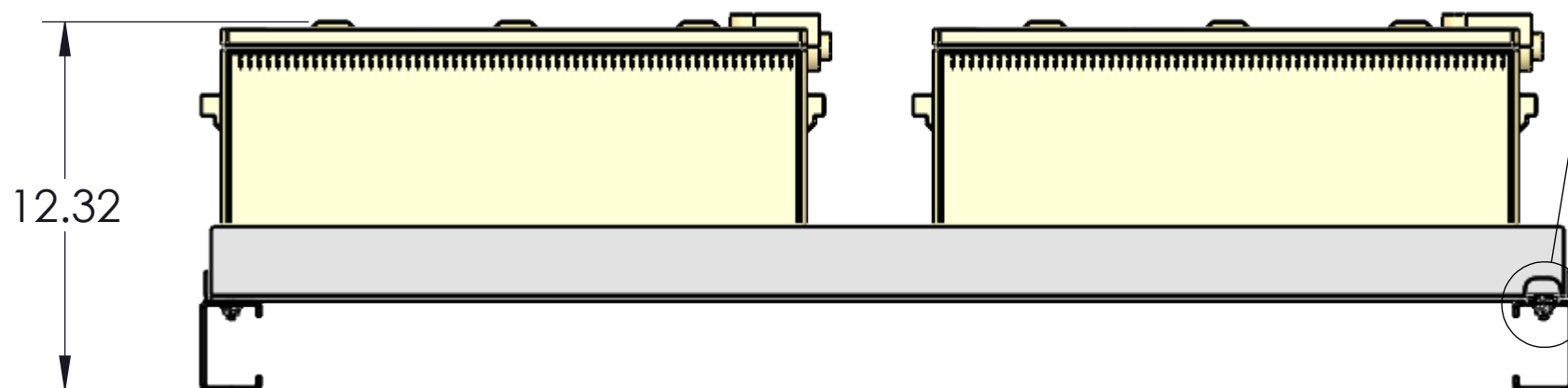
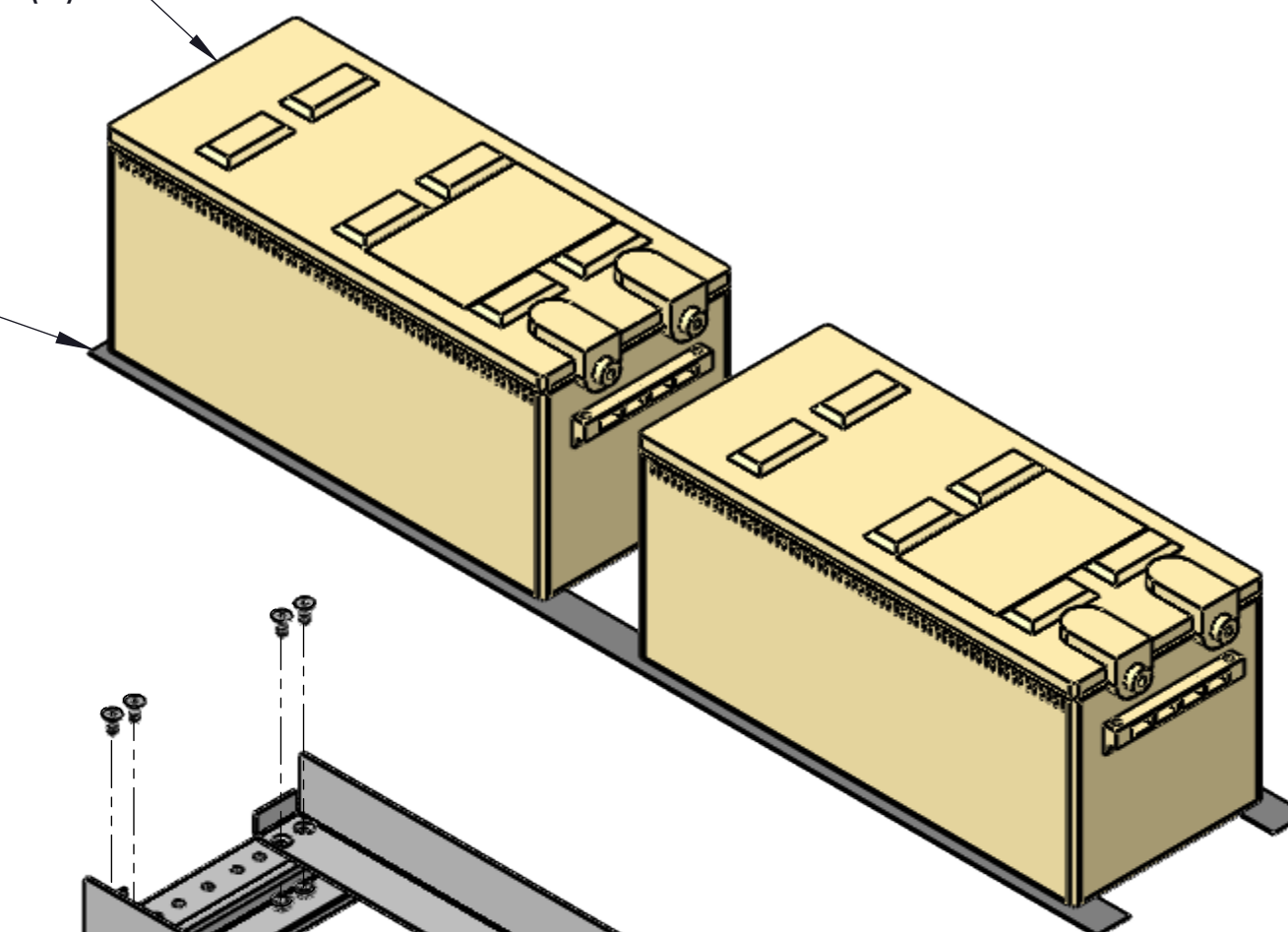
DETAIL A
SCALE 1:1
(CUT AWAY)



46.00

RUBBER INSULATION
1/16" TK X 1.5"W X 45.31"L
(CENTERED ON BATTERY RAIL)
QTY. (2)

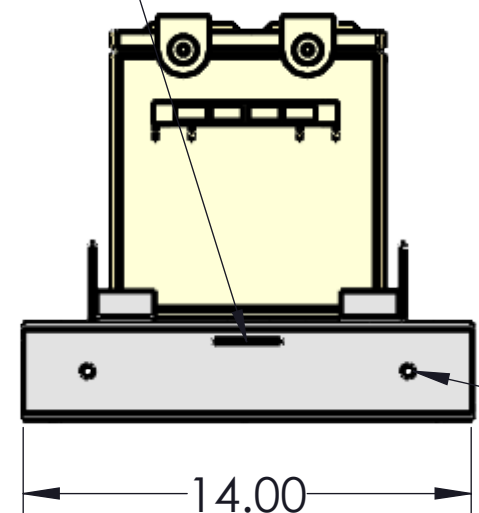
4D BATTERY
QTY. (2)



12.32

2.00
(TYP.)

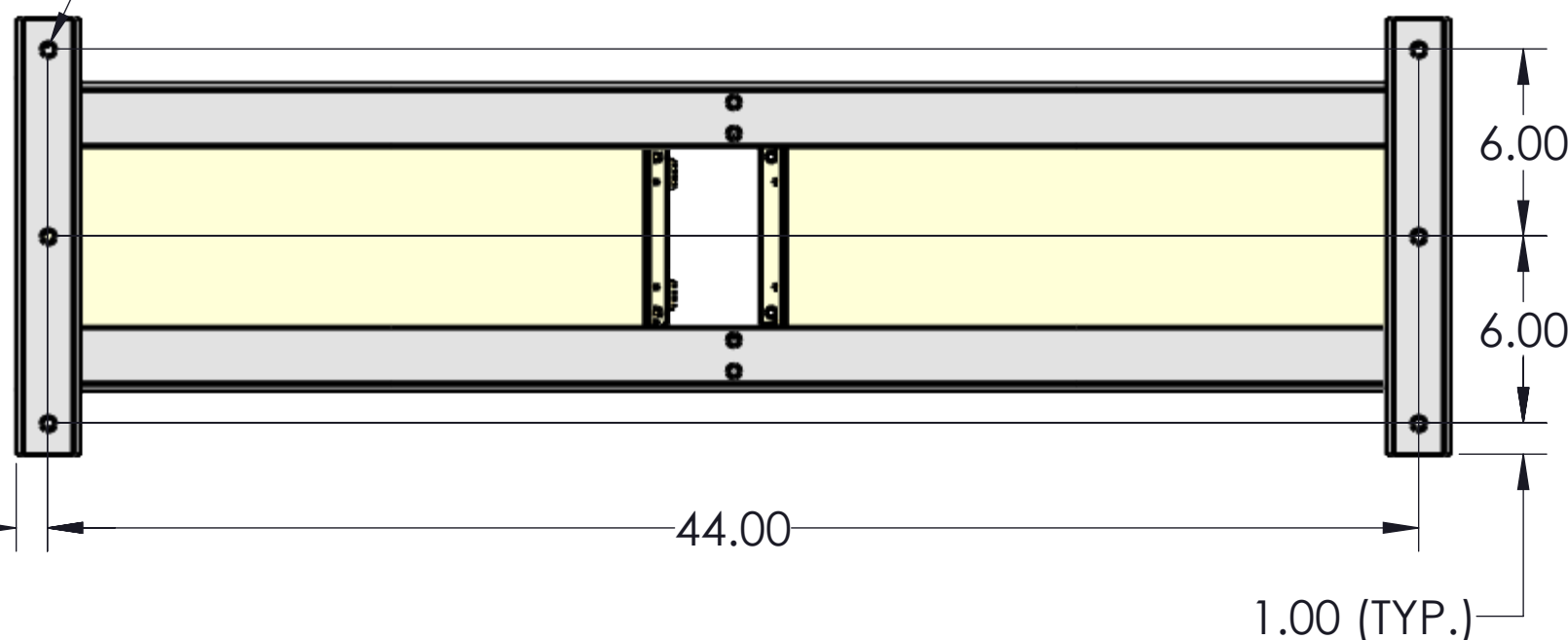
STRAPPING SLOT
TYP. BOTH SIDES



14.00

2X ϕ .38 THRU ALL
(TYP. EACH SIDE)

6X ϕ .44 THRU
(FOR ANCHORING RACK)



6.00

6.00

1.00 (TYP.)

44.00

1.00 (TYP.)

- NOTES:
- 1). (...) -REFERENCE DIMENSIONS
 - 2). REMOVE ALL BURRS AND SHARP EDGES
 - 3). ALL DIM'S TO OUTSIDE SURFACE UNLESS NOTED

INSTALLATION INSTRUCTIONS:

- 1). READ ALL INSTRUCTIONS PRIOR TO INSTALLATION
- 2). VERIFY RECEIVED PARTS MATCH THE BOM
- 3). INSTALL RAILS IN APPROPRIATE MOUNTING POSITION DEPENDING ON BATTERY SIZE
- 4). INSTALL BRH-003/BRH-004 HARDWARE IN EACH MOUNTING HOLE AND TIGHTEN TO 30 FT/LBS
- 5). FOLLOW ALL APPLICABLE CODES FOR FINAL MECHANICAL/ELECTRICAL INSTALLATION
- 6). FOLLOW BATTERY MANUFACTURER'S INSTRUCTIONS FOR FINAL SYSTEM STARTUP

SYM	REVISION	DATE	SCALE
DRAWN BY AM	CHKD BY BR	12/12/19	1:6
DESCRIPTION BR1-14D46W BATTERY RACK			DWG. SIZE C
DIMENSIONS ARE IN INCHES TOLERANCES UNLESS SPECIFIED		1 PLACE DEC. \pm .1	2 PLACE DEC. \pm .02
		3 PLACE DEC. \pm .005	ANGLES \pm .5°
THIS DRAWING IS THE PROPERTY OF ATLANTIC BATTERY. AND MUST NOT BE MADE PUBLIC OR COPIED. ALL RIGHTS OF DESIGN AND/OR INVENTION ARE RESERVED.		SHEET 1 OF 1	
PART NUMBER BR1-14D46W			

