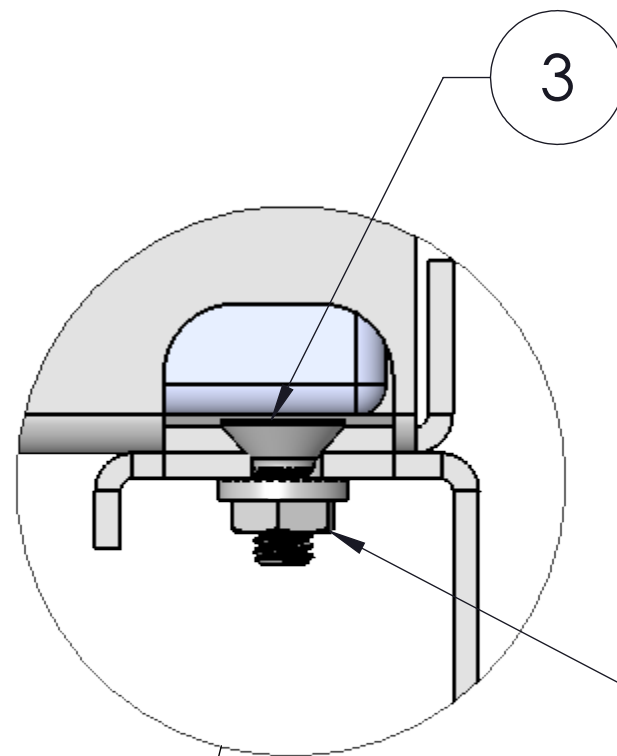
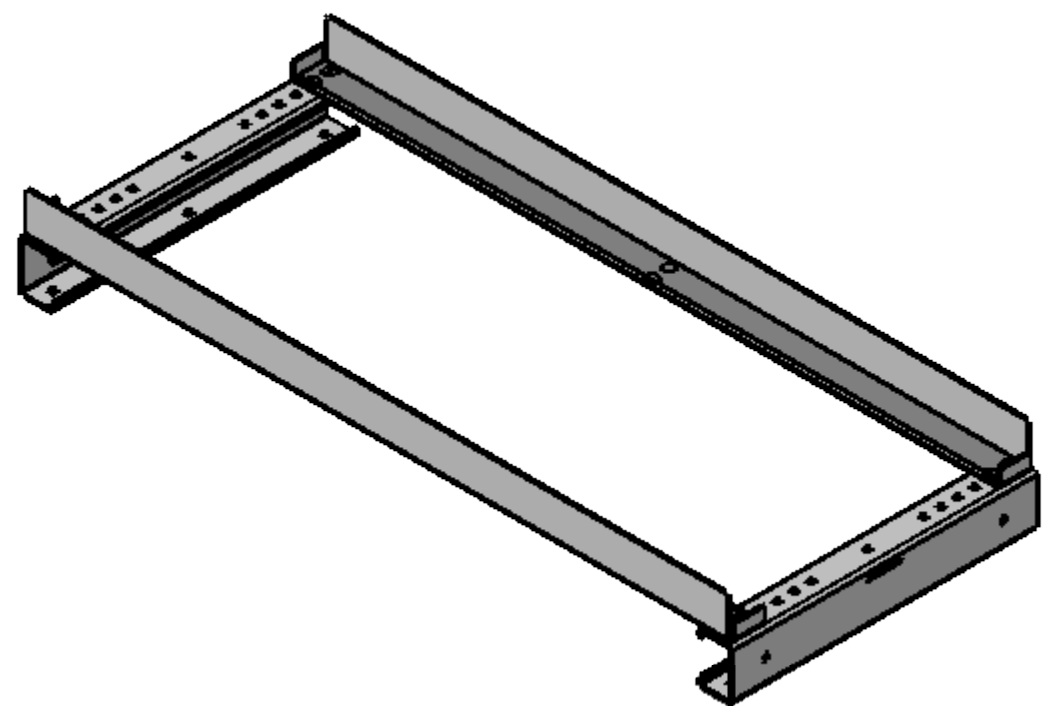
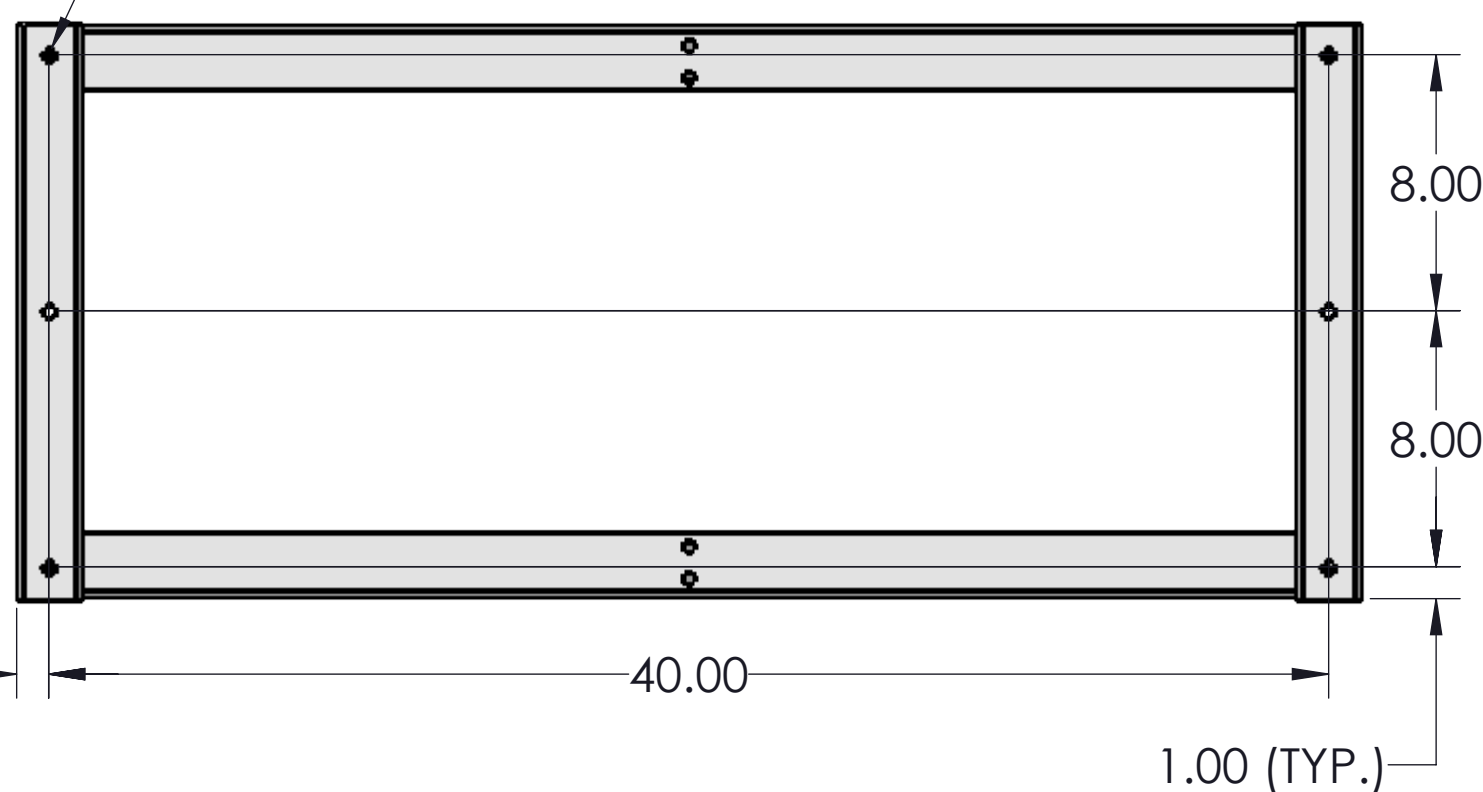
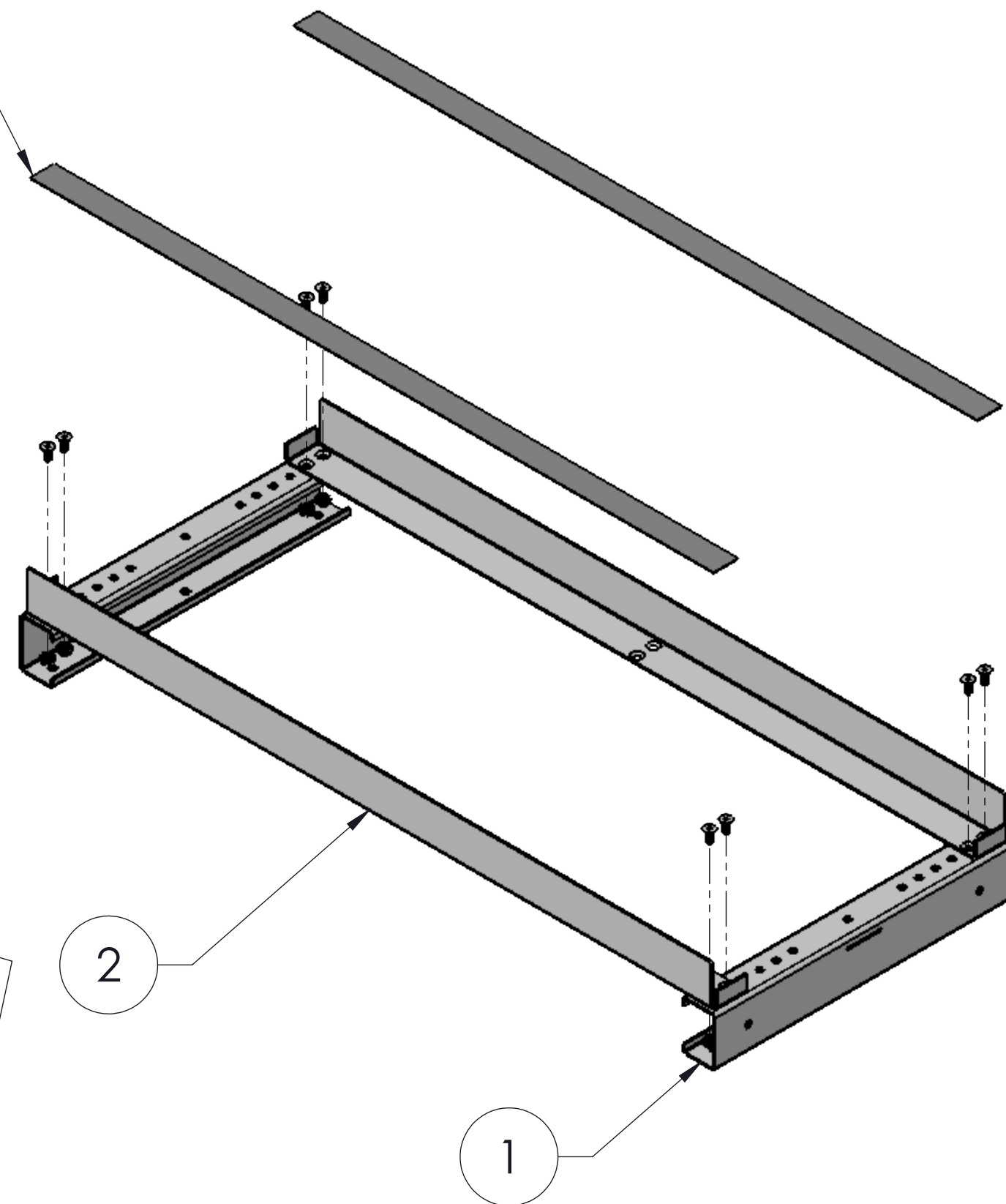
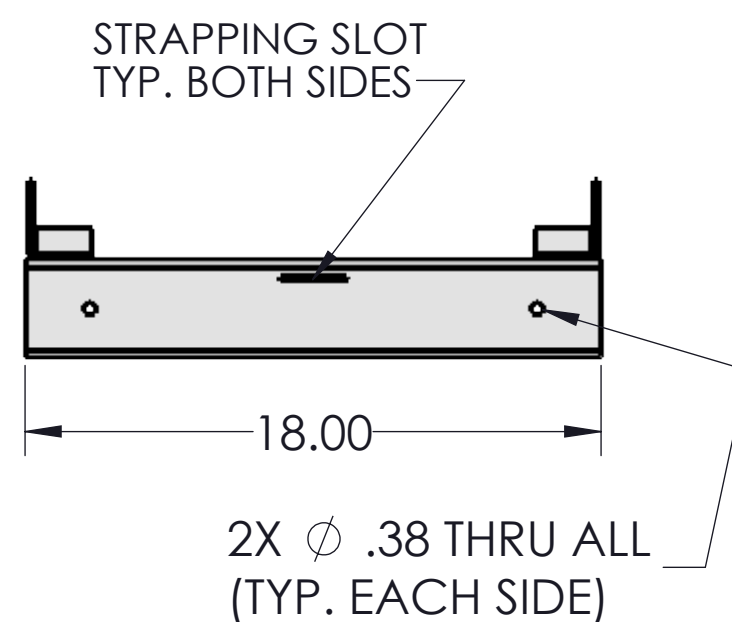
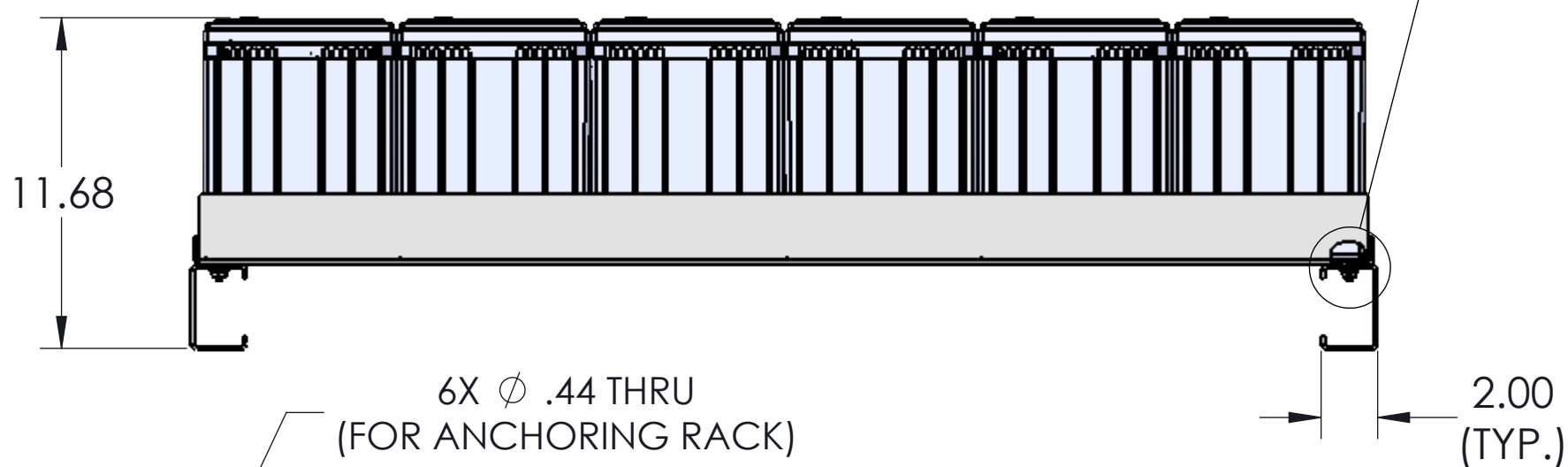
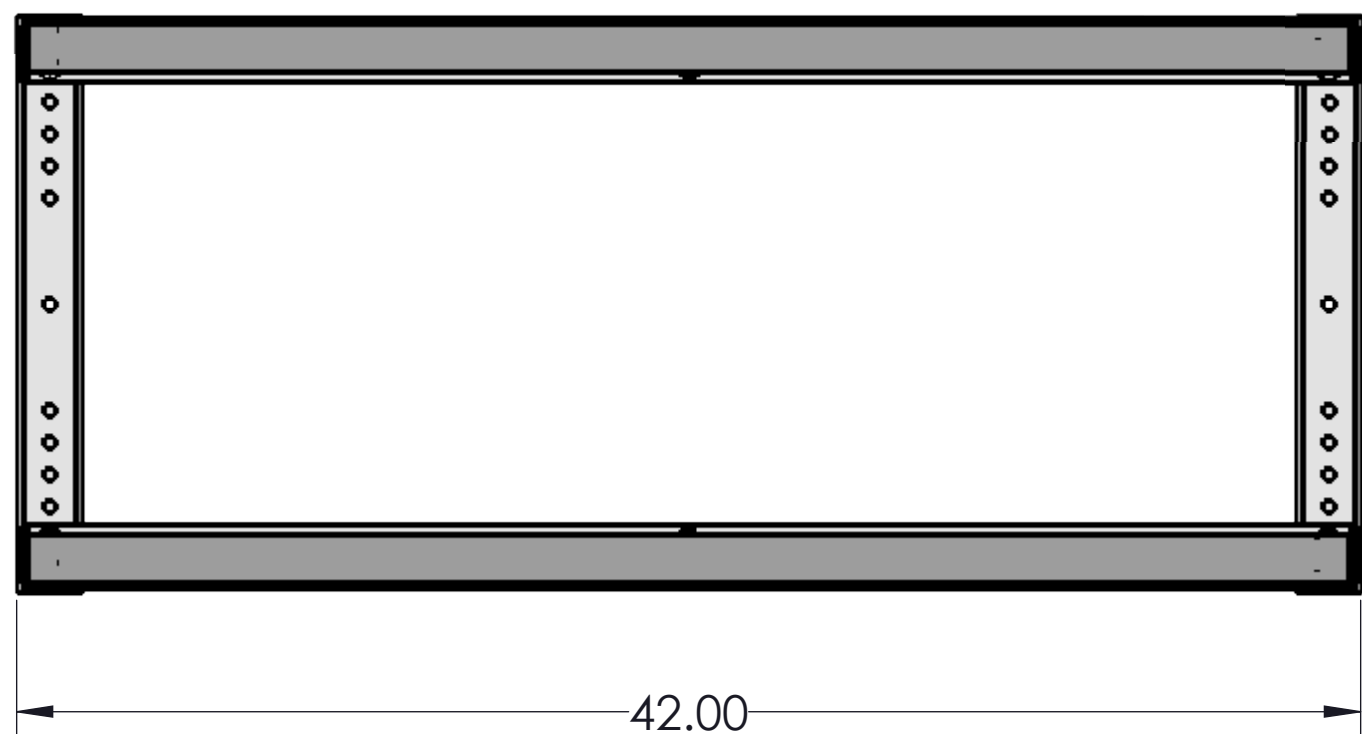


REF.



DETAIL A  
SCALE 1 : 1  
(CUT AWAY)  
RUBBER INSULATION  
1/16" TK X 1.5"W X 41.31"L  
(CENTERED ON BATTERY RAIL)  
QTY. (2)

ITEM NO.	PART NUMBER	DESCRIPTION	Default/ QTY.
1	BRC-18	BASE C-CHANNEL	2
2	BRR-42	BATTERY RAIL FOR 42" RACK	2
3	BRH-003	FLAT HEAD SCREW SS 5/16"-18 X 3/4"	8
4	BRH-004	5/16"-18 SS SERRATED FLANGED LOCK NUT	8



**INSTALLATION INSTRUCTIONS:**

- 1). READ ALL INSTRUCTIONS PRIOR TO INSTALLATION
- 2). VERIFY RECEIVED PARTS MATCH THE BOM
- 3). INSTALL RAILS IN APPROPRIATE MOUNTING POSITION DEPENDING ON BATTERY SIZE
- 4). INSTALL BRH-003/BRH-004 HARDWARE IN EACH MOUNTING HOLE AND TIGHTEN TO 30 FT/LBS
- 5). FOLLOW ALL APPLICABLE CODES FOR FINAL MECHANICAL/ELECTRICAL INSTALLATION
- 6). FOLLOW BATTERY MANUFACTURER'S INSTRUCTIONS FOR FINAL SYSTEM STARTUP

- NOTES:**
- 1). (...) -REFERENCE DIMENSIONS
  - 2). REMOVE ALL BURRS AND SHARP EDGES
  - 3). ALL DIM'S TO OUTSIDE SURFACE UNLESS NOTED

SYM	REVISION	DATE	SCALE
DRAWN BY AM	CHKD BY BR	12/12/19	1:6
DESCRIPTION <b>BR1-18D42W BATTERY RACK</b>			DWG. SIZE C
DIMENSIONS ARE IN INCHES TOLERANCES UNLESS SPECIFIED		1 PLACE DEC. ±.1	2 PLACE DEC. ±.02
		3 PLACE DEC. ±.005	ANGLES ±.5°
THIS DRAWING IS THE PROPERTY OF ATLANTIC BATTERY. AND MUST NOT BE MADE PUBLIC OR COPIED. ALL RIGHTS OF DESIGN AND/OR INVENTION ARE RESERVED.		SHEET 1 OF 1	PART NUMBER BR1-18D42W

