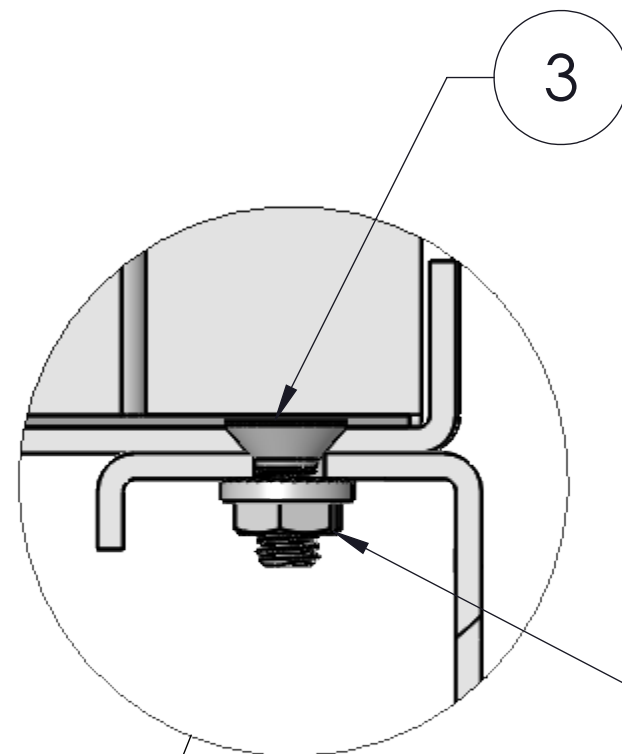
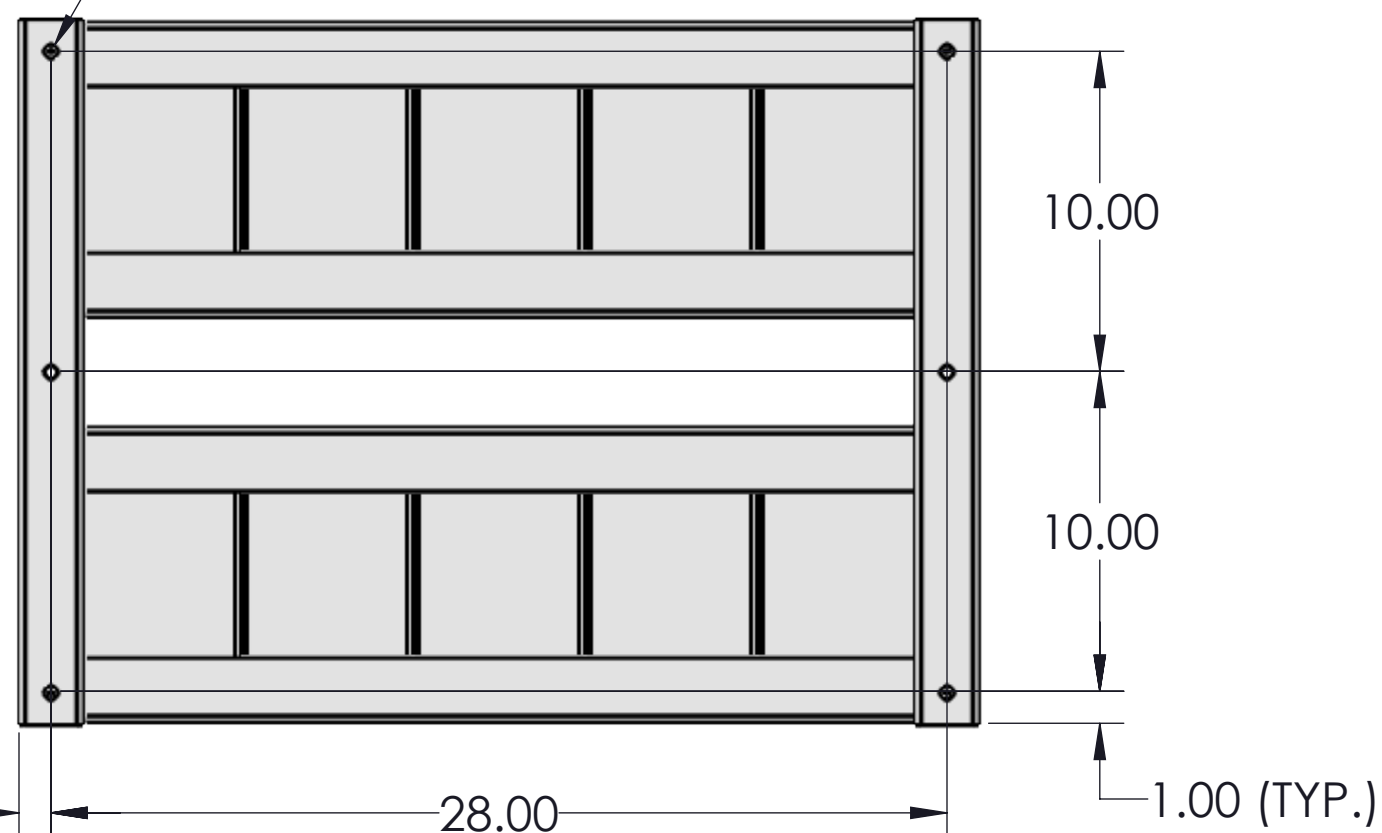
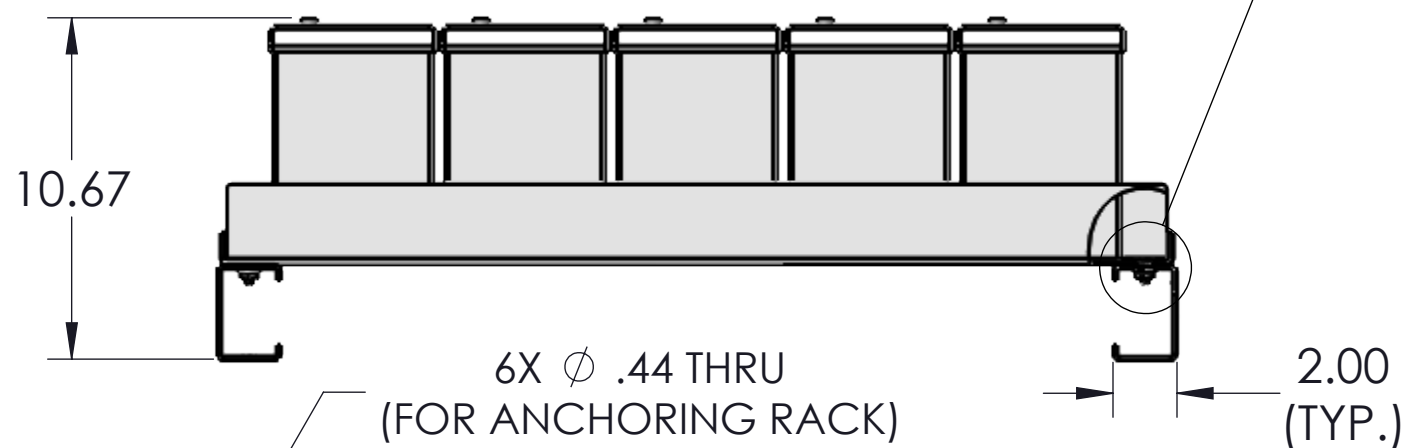
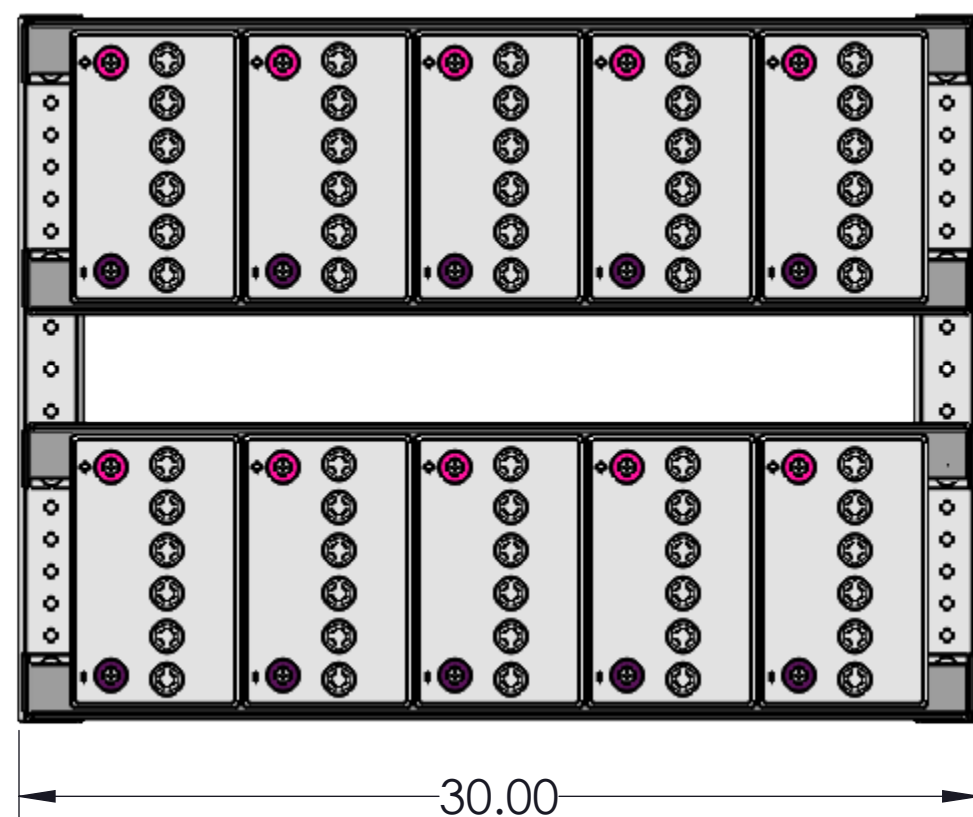
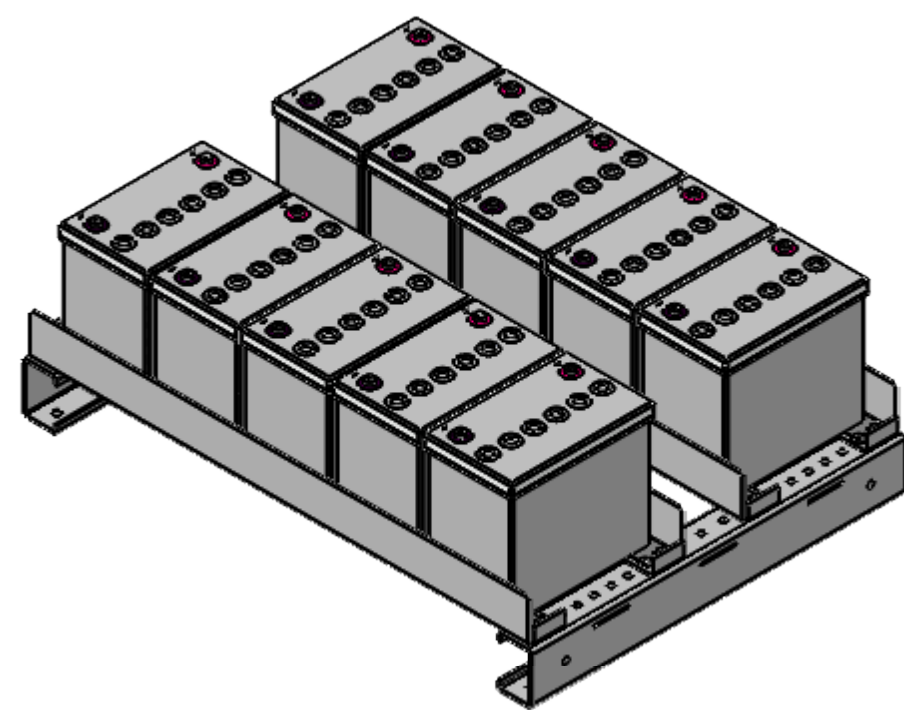
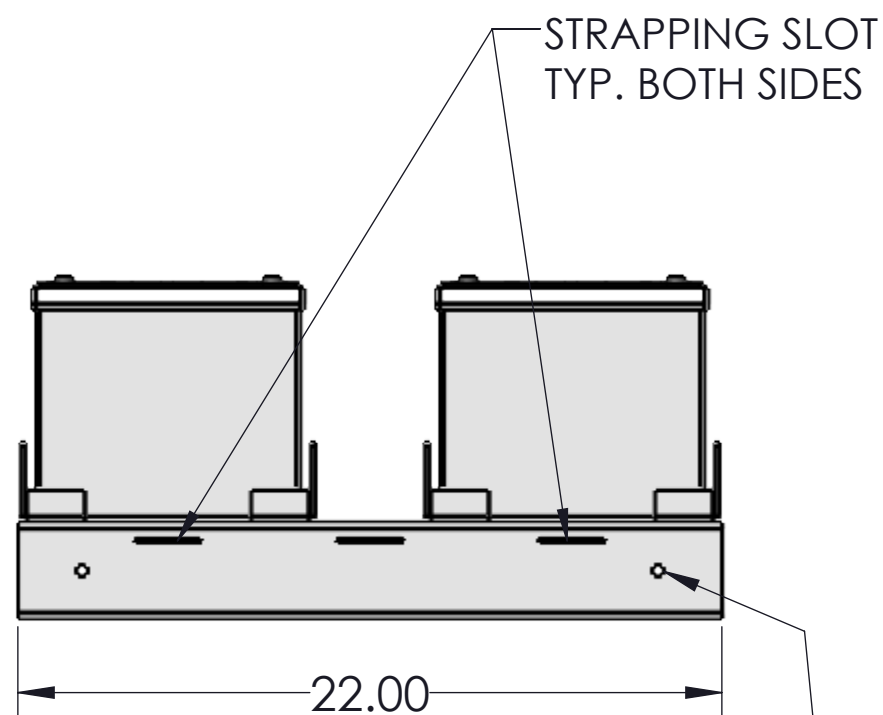


REF.

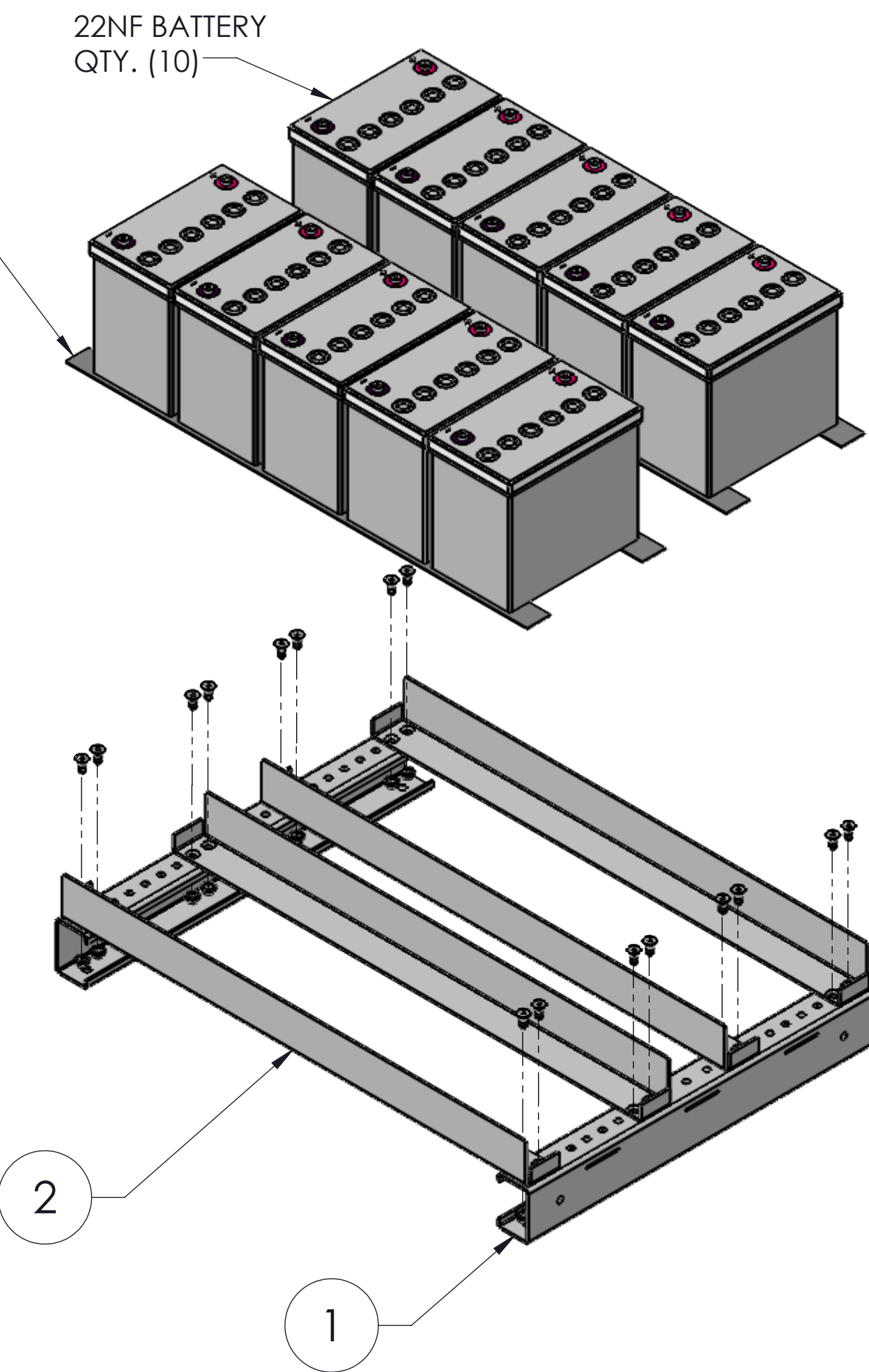


DETAIL A  
SCALE 1 : 1

RUBBER INSULATION  
1/16" TK X 1.5"W X 29.3125"L  
(CENTERED ON BATTERY RAIL)  
QTY. (4)



2X Ø .38 THRU ALL  
(TYP. EACH SIDE)



ITEM NO.	PART NUMBER	DESCRIPTION	Default/ QTY.
1	BRC-22	BASE C-CHANNEL	2
2	BRR-30	BATTERY RAIL FOR 30" RACK	4
3	BRH-003	FLAT HEAD SCREW SS 5/16"-18 X 3/4"	16
4	BRH-004	5/16"-18 SS SERRATED FLANGED LOCK NUT	16

22NF BATTERY  
QTY. (10)

INSTALLATION INSTRUCTIONS:

- 1). READ ALL INSTRUCTIONS PRIOR TO INSTALLATION
- 2). VERIFY RECEIVED PARTS MATCH THE BOM
- 3). INSTALL RAILS IN APPROPRIATE MOUNTING POSITION DEPENDING ON BATTERY SIZE
- 4). INSTALL BRH-003/BRH-004 HARDWARE IN EACH MOUNTING HOLE AND TIGHTEN TO 30 FT/LBS
- 5). FOLLOW ALL APPLICABLE CODES FOR FINAL MECHANICAL/ELECTRICAL INSTALLATION
- 6). FOLLOW BATTERY MANUFACTURER'S INSTRUCTIONS FOR FINAL SYSTEM STARTUP

NOTES:

- 1). (...) -REFERENCE DIMENSIONS
- 2). REMOVE ALL BURRS AND SHARP EDGES
- 3). ALL DIM'S TO OUTSIDE SURFACE UNLESS NOTED

SYM		REVISION		DATE		SCALE	
DRAWN BY	AM	CHKD BY	BR	DATE	12/11/19	SCALE	1:6
DESCRIPTION							DWG. SIZE
1BR1-22D30W-2R-1022NF BATTERY RACK							C
DIMENSIONS ARE IN INCHES TOLERANCES UNLESS SPECIFIED				1 PLACE DEC. ±.1	2 PLACE DEC. ±.02	3 PLACE DEC. ±.005	ANGLES ±.5°
THIS DRAWING IS THE PROPERTY OF ATLANTIC BATTERY. AND MUST NOT BE MADE PUBLIC OR COPIED. ALL RIGHTS OF DESIGN AND/OR INVENTION ARE RESERVED.				PART NUMBER		SHEET 1 OF 1	
				BR1-22D30W-2R-1022NF			

