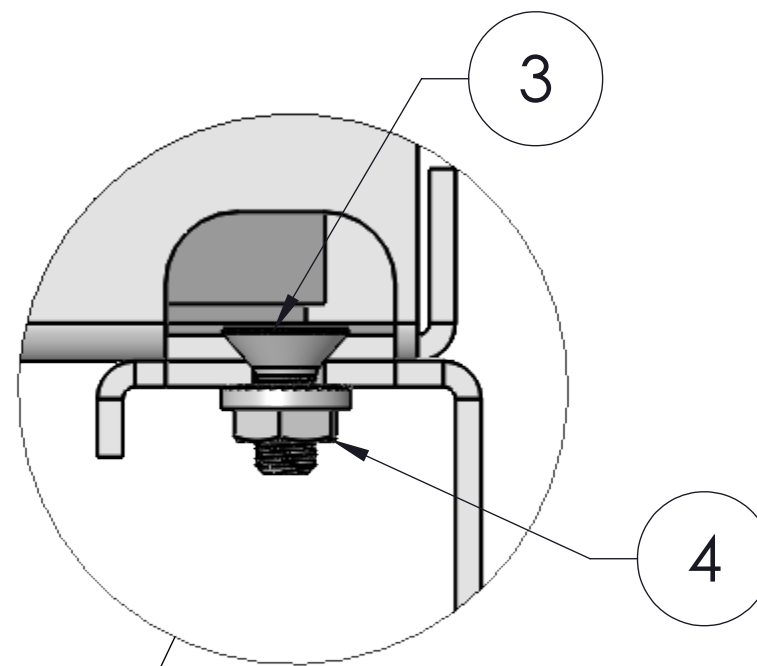
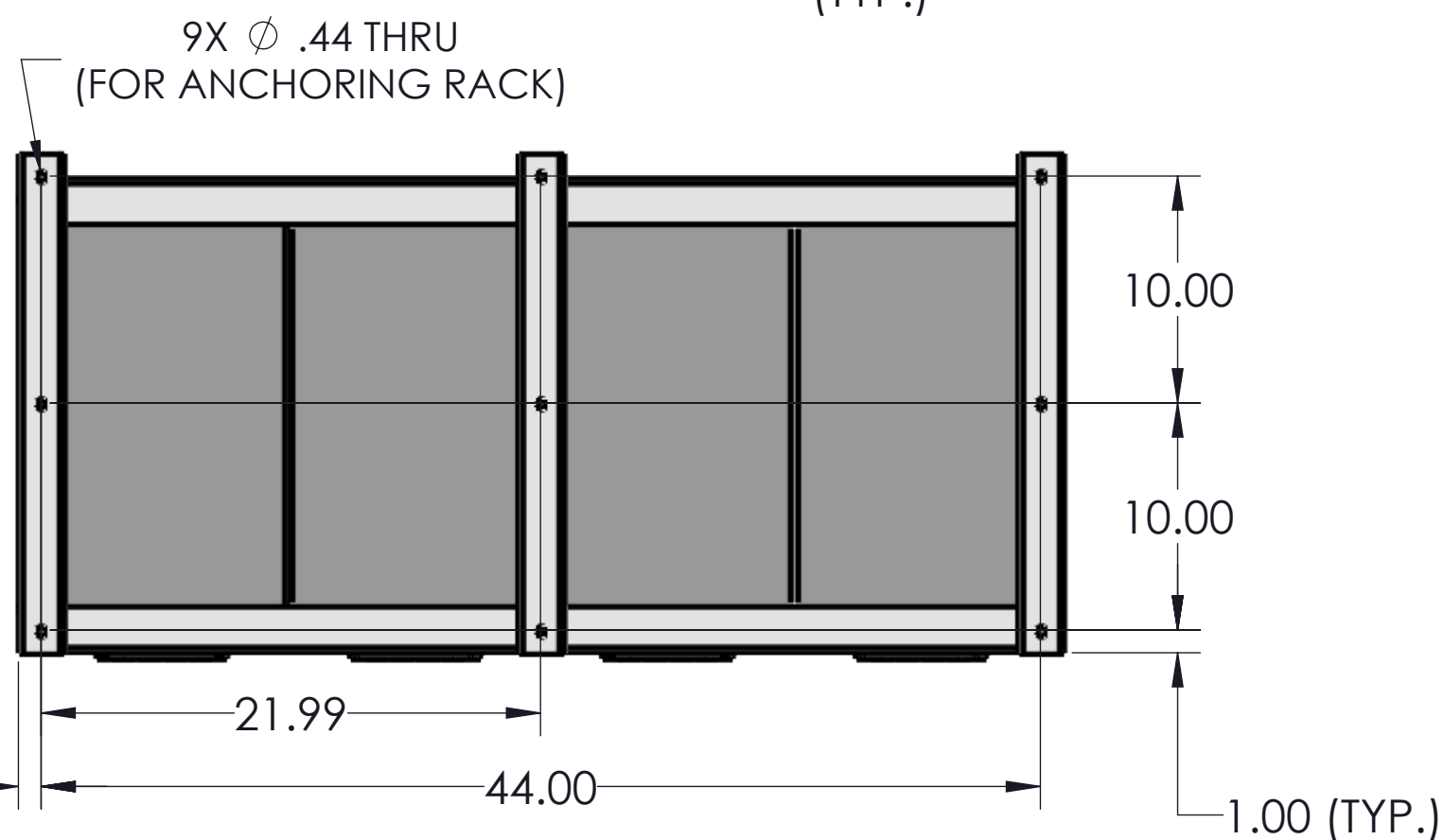
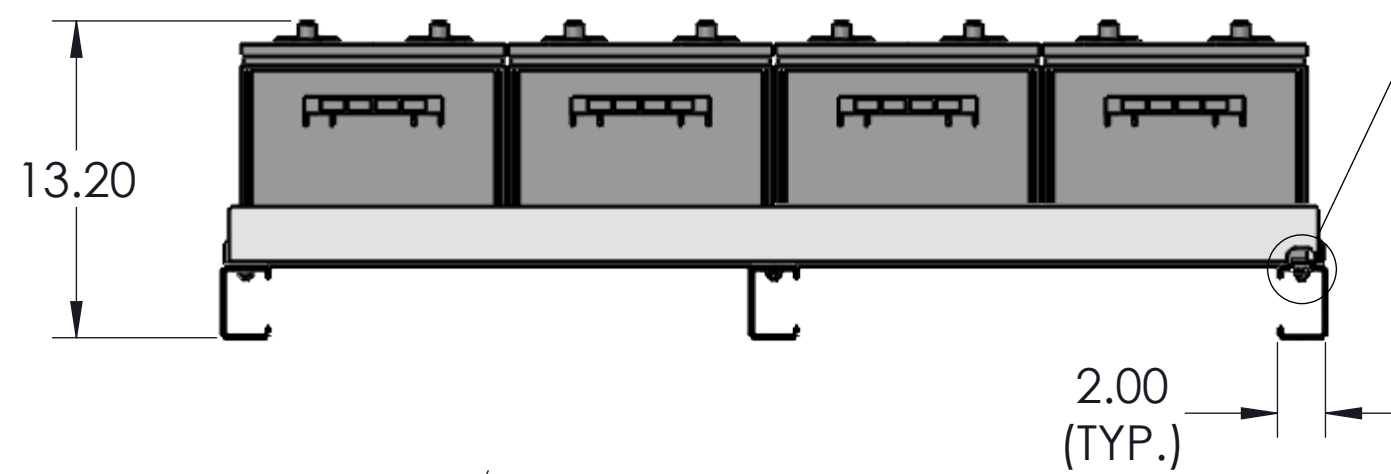
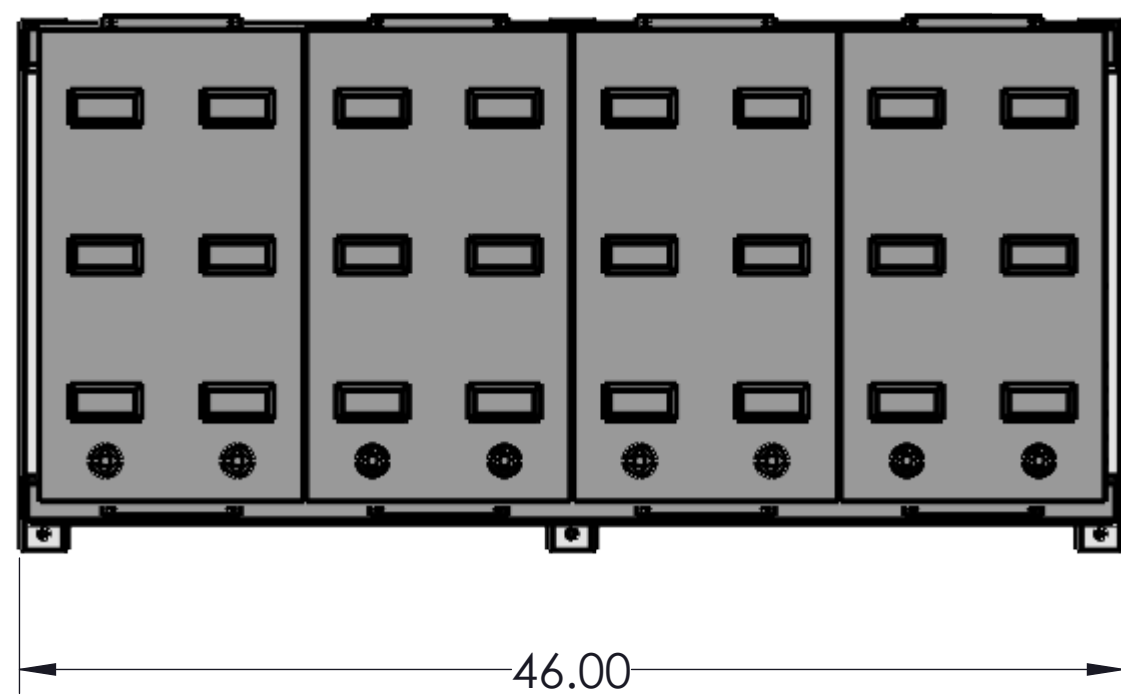
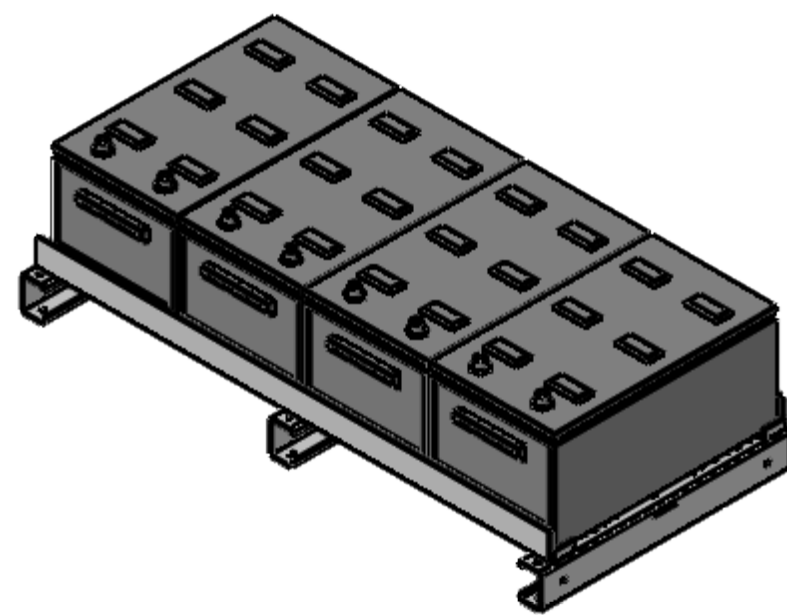


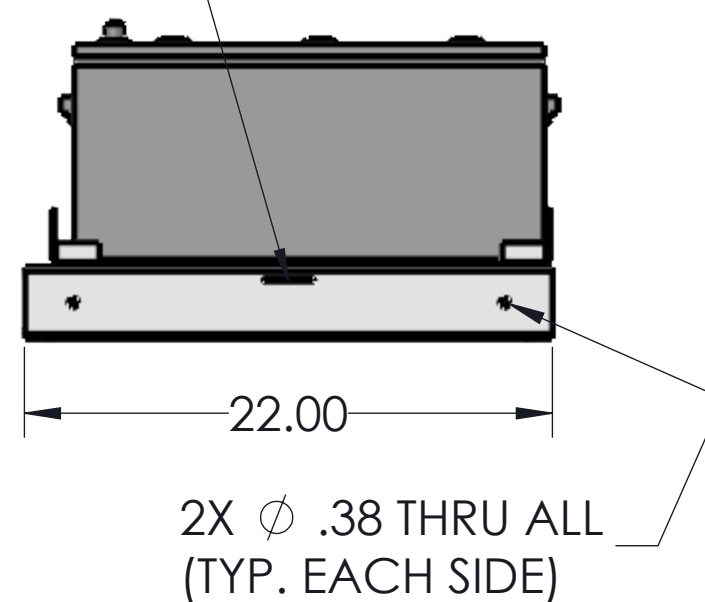
REF.



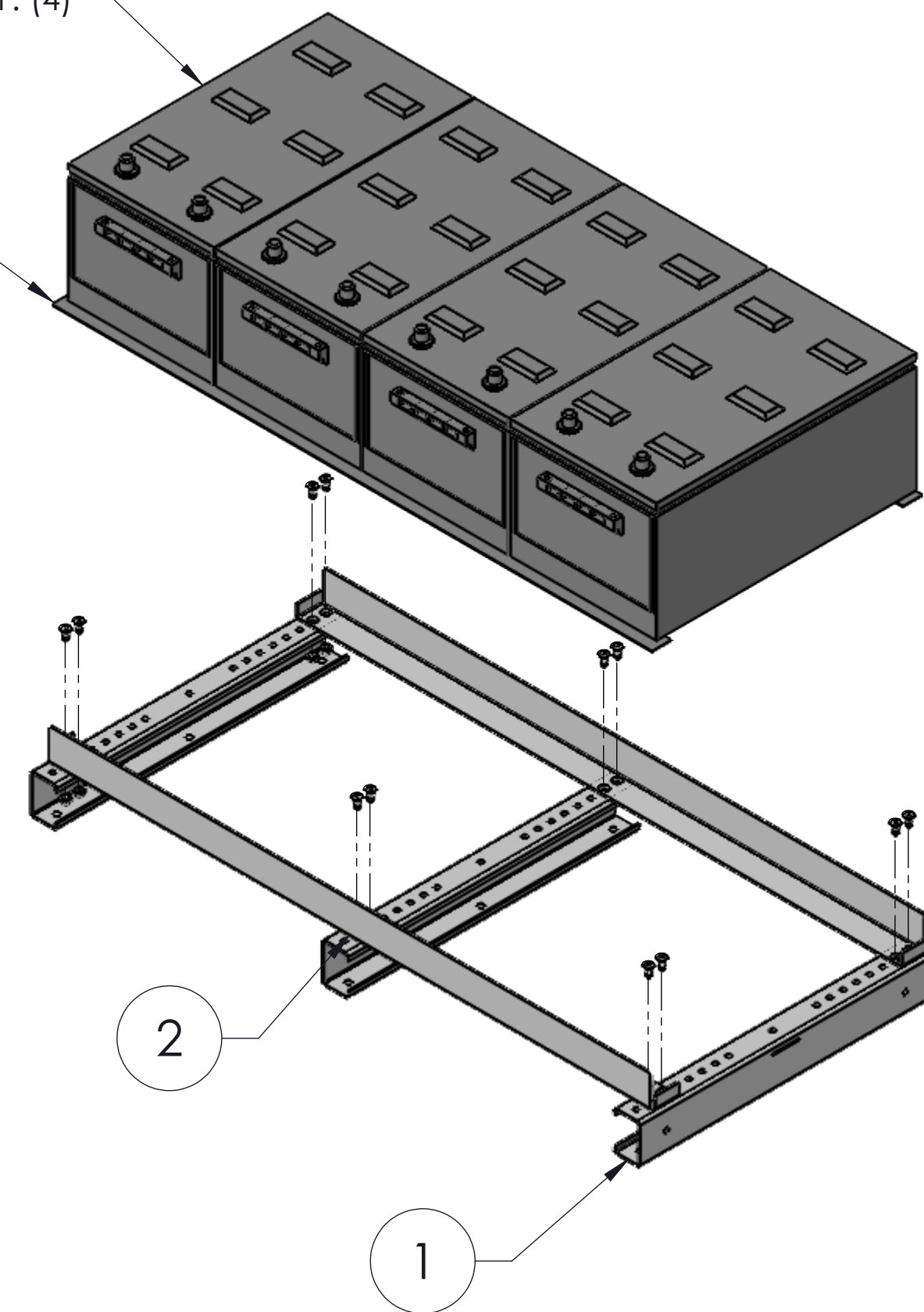
DETAIL A
SCALE 1 : 1
(CUT AWAY)

RUBBER INSULATION
1/16" TK X 1.5"W X 45.31"L
(CENTERED ON BATTERY RAIL)
QTY. (2)

STRAPPING SLOT
TYP. BOTH SIDES



8D BATTERY
QTY. (4)



ITEM NO.	PART NUMBER	DESCRIPTION	Default/ QTY.
1	BRC-22	BASE C-CHANNEL	3
2	BRR-46	BATTERY RAIL FOR 46" RACK	2
3	BRH-003	FLAT HEAD SCREW SS 5/16"-18 X 3/4"	12
4	BRH-004	5/16"-18 SS SERRATED FLANGED LOCK NUT	12

INSTALLATION INSTRUCTIONS:

- 1). READ ALL INSTRUCTIONS PRIOR TO INSTALLATION
- 2). VERIFY RECEIVED PARTS MATCH THE BOM
- 3). INSTALL RAILS IN APPROPRIATE MOUNTING POSITION DEPENDING ON BATTERY SIZE
- 4). INSTALL BRH-003/BRH-004 HARDWARE IN EACH MOUNTING HOLE AND TIGHTEN TO 30 FT/LBS
- 5). FOLLOW ALL APPLICABLE CODES FOR FINAL MECHANICAL/ELECTRICAL INSTALLATION
- 6). FOLLOW BATTERY MANUFACTURER'S INSTRUCTIONS FOR FINAL SYSTEM STARTUP

NOTES:

- 1). (...) -REFERENCE DIMENSIONS
- 2). REMOVE ALL BURRS AND SHARP EDGES
- 3). ALL DIM'S TO OUTSIDE SURFACE UNLESS NOTED

SYM	REVISION	DATE	SCALE
DRAWN BY AM	CHKD BY BR	12/12/19	1:8
DESCRIPTION BR1-22D46W BATTERY RACK			DWG. SIZE C
DIMENSIONS ARE IN INCHES TOLERANCES UNLESS SPECIFIED		1 PLACE DEC. ±.1	2 PLACE DEC. ±.02
THIS DRAWING IS THE PROPERTY OF ATLANTIC BATTERY. AND MUST NOT BE MADE PUBLIC OR COPIED. ALL RIGHTS OF DESIGN AND/OR INVENTION ARE RESERVED.		3 PLACE DEC. ±.005	ANGLES ±.5°
PART NUMBER BR1-22D46W		SHEET 1 OF 1	

