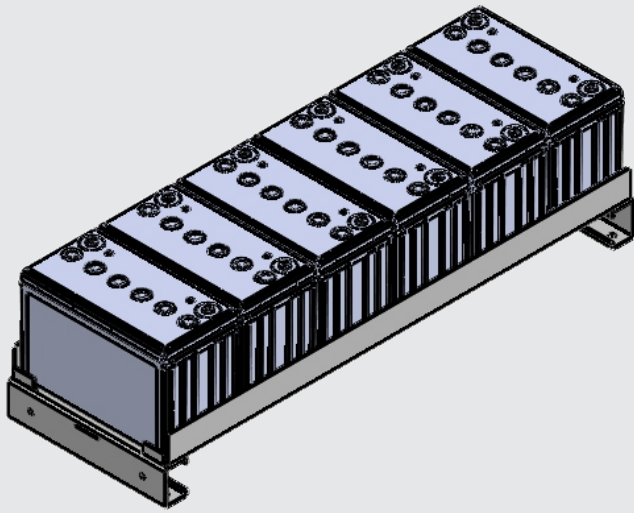


# Single Tier Essential Battery Racks



The **BR1 Series** racks are single tier racks that have been designed to hold all types of stationary battery models for a variety of applications. They are rugged and simplistic in installation and is also essential to providing safety and securement of your stationary battery plant.

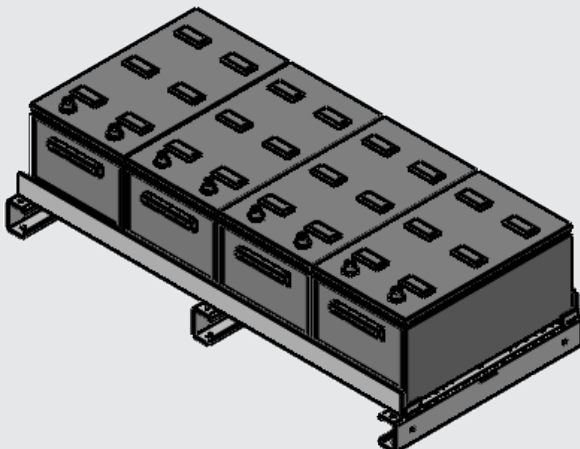
## Standard Features

- Designed to hold top and front terminal batteries in all sizes
- Sealed VRLA or Flooded battery installations
- Acid resistant electrostatic powder coat rails and base
- Rubber rail insulation provided
- Easy assembly and installation
- Strapping slots for securing batteries to rack
- Anchor holes for securing to floor
- End holes to bolt multiple racks together
- End stops to prevent batteries from sliding off edges

Batteries per Rack - Sizing Chart

Rack Model	Depth"	Length"	Top Terminal VRLA			Front Terminal VRLA				Starting Battery (Generator)				Deep Cycle	
			Watts per Cell			Amp Hour				Group Size				6 Volt Size	
			100 - 150	200	300 - 620	80-100 Short	100-110	145	150-190	U1, 22NF	24, 27, 31	4D	8D	GC-2	L16
BR1L-14D30W	14	30	5	4	4					5	4			4	4
BR1-14D42W	14	42	8	7	6					8	6			5	6
BR1-14D46W	14	46	8	8	6					8	6	2*	2*	6	6*
BR1-18D30W	18	30		4	4	6		4			4				
BR1-18D30W2R-10U1	18	30	10							10 - U1					
BR1-18D42W	18	42		6	6	8		6			6				
BR1-18D46W-10FT100	18	46				10		6							
BR1-22D22W	22	22				5	5	3	4			2	2		
BR1-22D30W2R-1022	22	30	10	10	4*					10 - 22NF	4*				
BR1-22D46W	22	46				10	10	6	8			4	4		
BR1-22D46W-8FT190	22	46							8						

\* - Lengthwise



## Available Options

- Custom Lengths and Widths available
- Custom cable kits
- Spill Containment for Flooded or VRLA batteries
- Wall mount circuit breakers
- Multiple tier racks available

Atlantic Battery Systems Inc.

☎ 800-875-0073

✉ sales@atbatsys.com

🌐 www.atbatsys.com