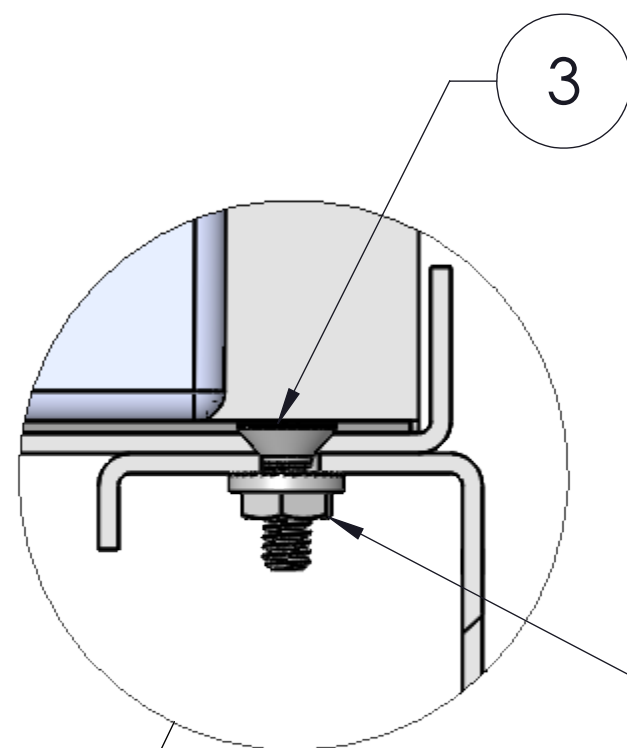
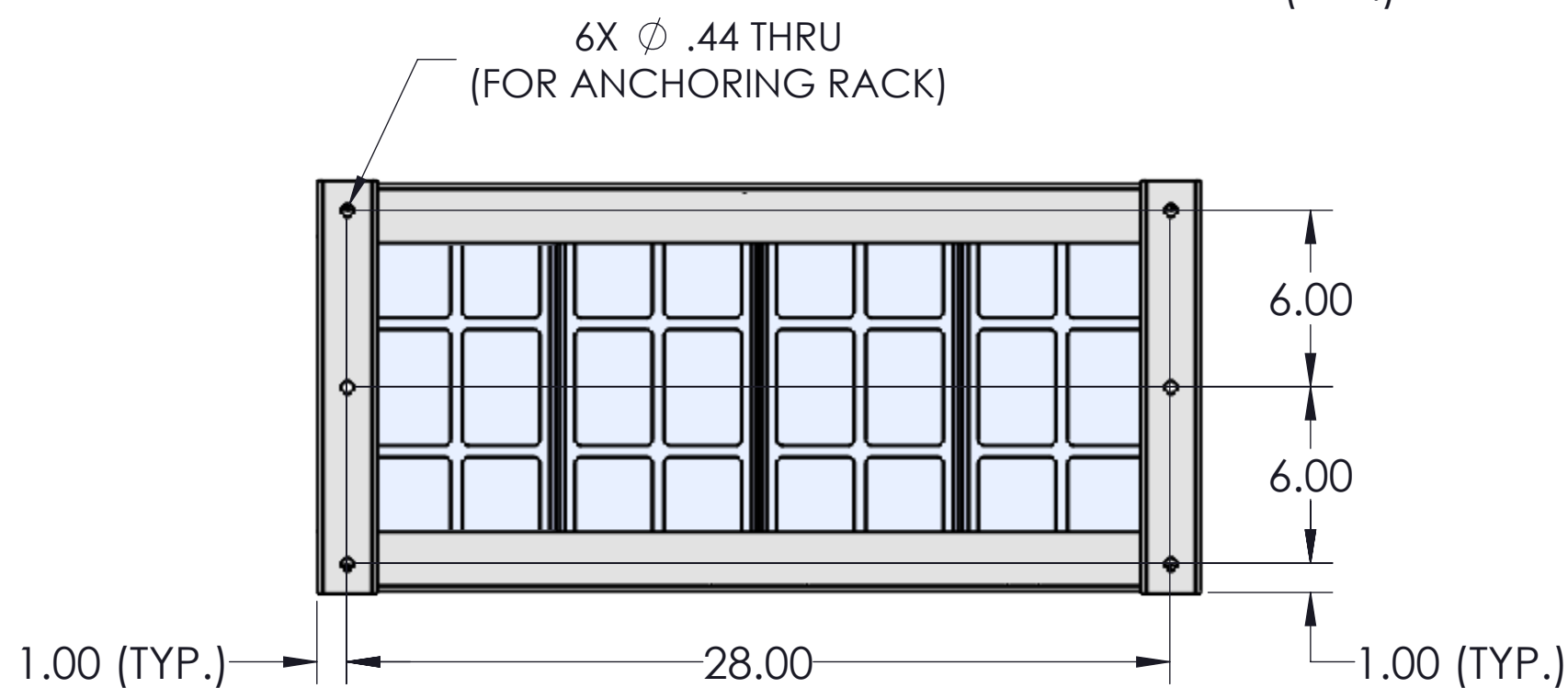
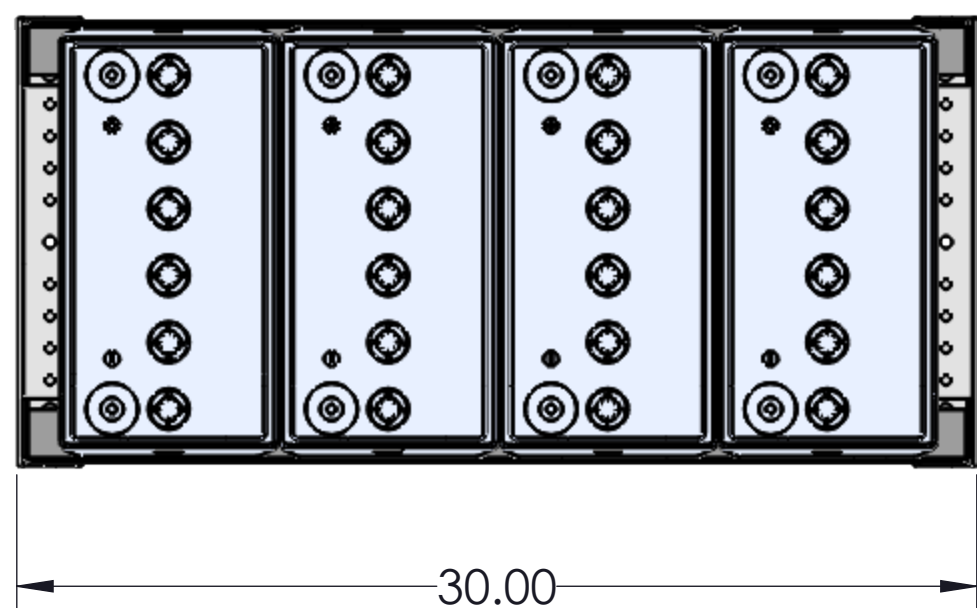
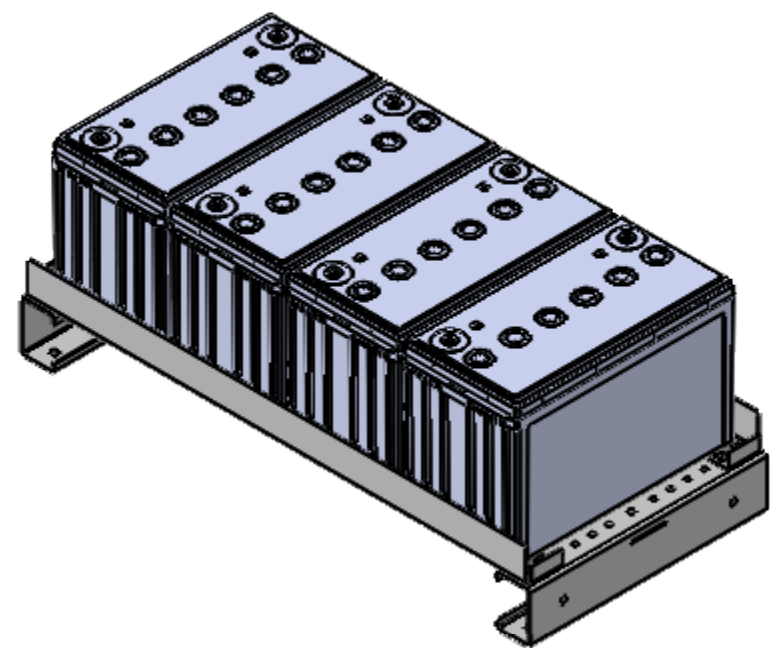
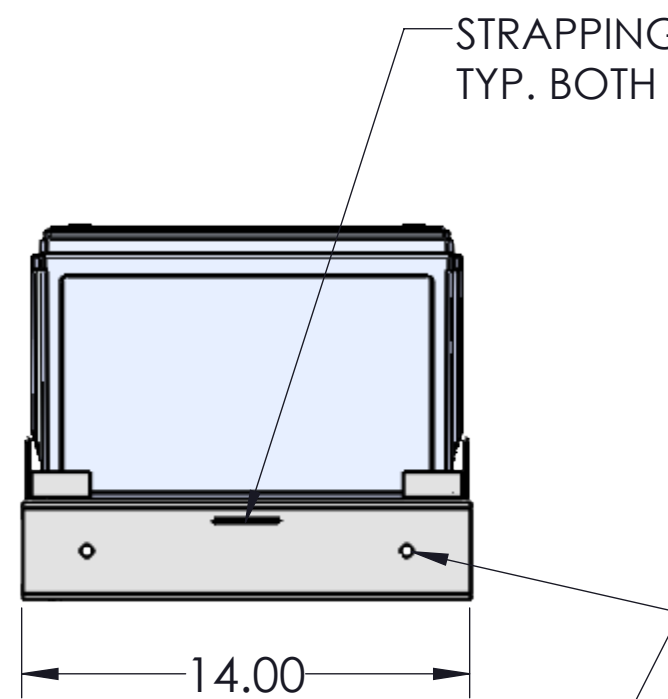


REF.

ITEM NO.	PART NUMBER	DESCRIPTION	Default/ QTY.
1	BRC-14L	BASE C-CHANNEL	2
2	BRR-30L	BATTERY RAIL FOR 30" RACK	2
3	BRH-001	1/4"-20 X 3/4" SS FLAT HEAD SCREW	8
4	BRH-002	1/4"-20 SS SERRATED FLANGE LOCKNUT	8



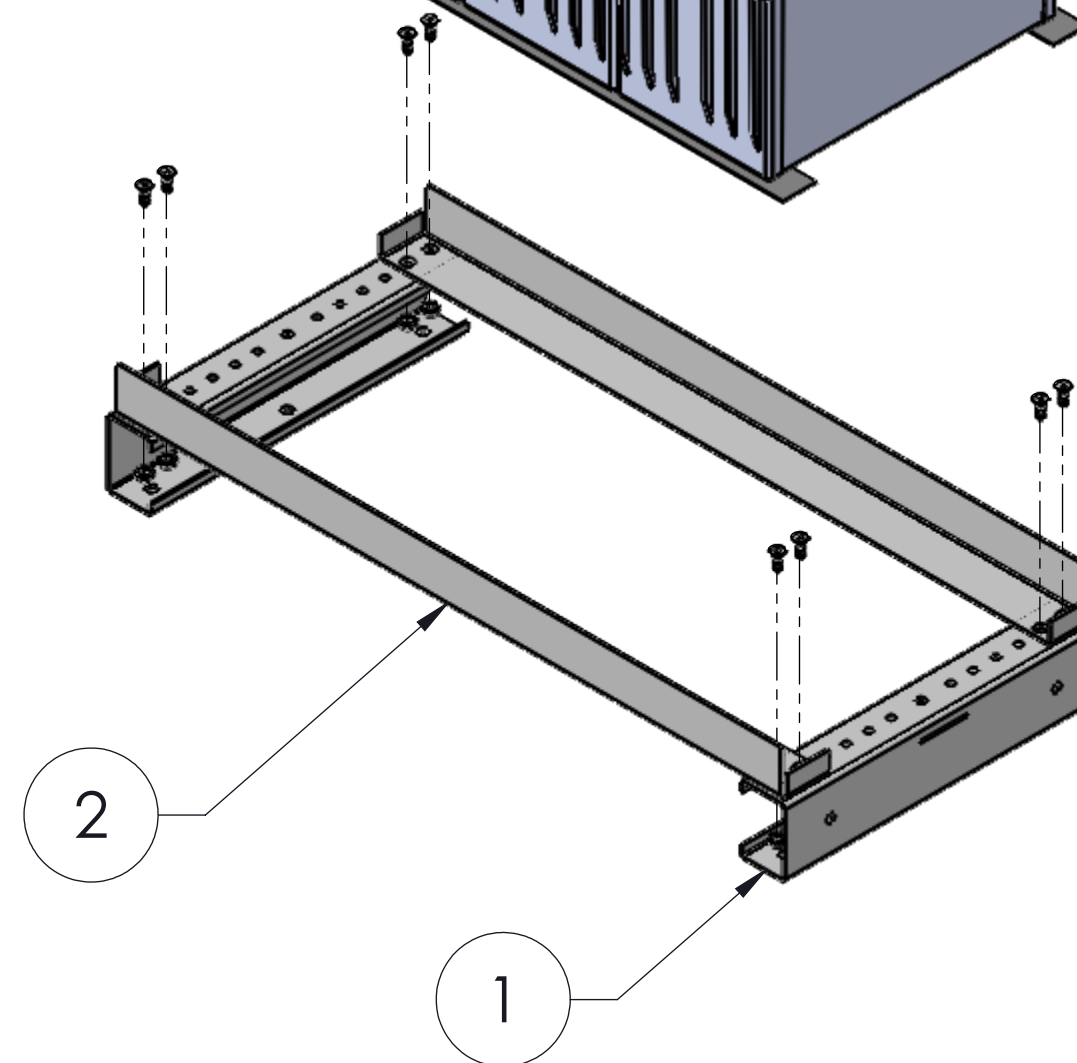
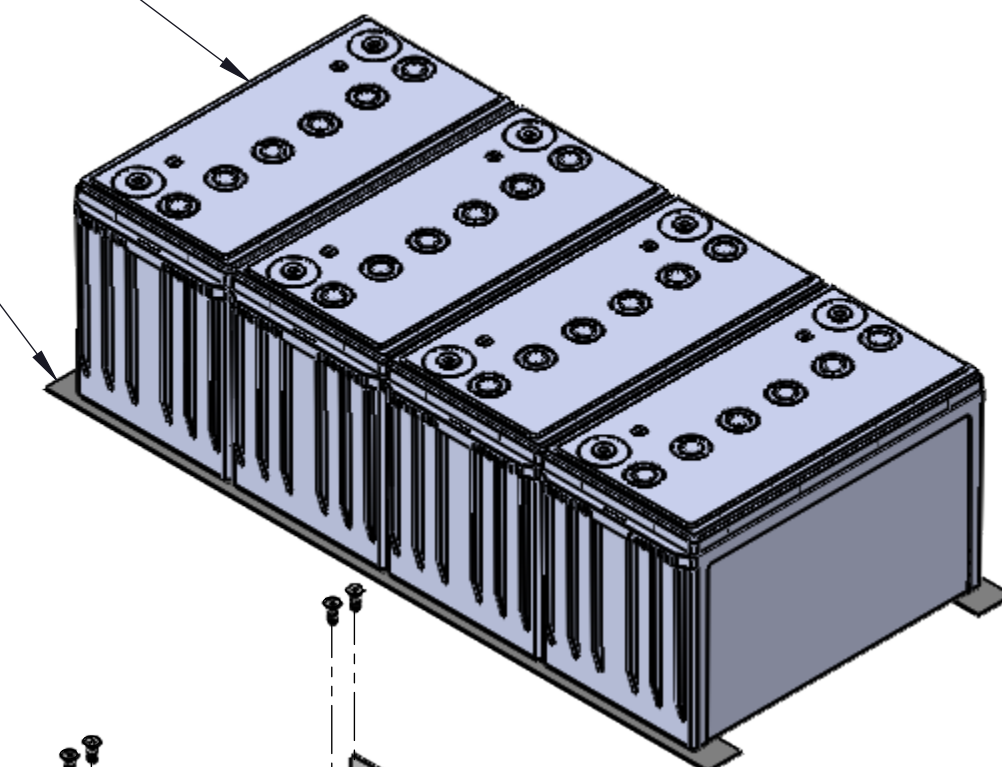
DETAIL A
SCALE 1 : 1



2X Ø .38 THRU ALL
(TYP. EACH SIDE)

GROUP 31 BATTERY
QTY. (4)

RUBBER INSULATION
1/16" TK X 1.5"W X 29.3125"L
(CENTERED ON BATTERY RAIL)
QTY. (2)



INSTALLATION INSTRUCTIONS:

- 1). READ ALL INSTRUCTIONS PRIOR TO INSTALLATION
- 2). VERIFY RECEIVED PARTS MATCH THE BOM
- 3). INSTALL RAILS IN APPROPRIATE MOUNTING POSITION DEPENDING ON BATTERY SIZE
- 4). INSTALL BRH-001/BRH-002 HARDWARE IN EACH MOUNTING HOLE AND TIGHTEN TO 30 FT/LBS
- 5). FOLLOW ALL APPLICABLE CODES FOR FINAL MECHANICAL/ELECTRICAL INSTALLATION
- 6). FOLLOW BATTERY MANUFACTURER'S INSTRUCTIONS FOR FINAL SYSTEM STARTUP

NOTES:

- 1). (...) -REFERENCE DIMENSIONS
- 2). REMOVE ALL BURRS AND SHARP EDGES
- 3). ALL DIM'S TO OUTSIDE SURFACE UNLESS NOTED

SYM	REVISION	DATE	SCALE
DRAWN BY AM	CHKD BY BR	11/20/2019	1:6
DESCRIPTION BR1L-14D30W BATTERY RACK			DWG. SIZE C
DIMENSIONS ARE IN INCHES TOLERANCES UNLESS SPECIFIED		1 PLACE DEC. ±.1	2 PLACE DEC. ±.02
		3 PLACE DEC. ±.005	ANGLES ±.5°
THIS DRAWING IS THE PROPERTY OF ATLANTIC BATTERY. AND MUST NOT BE MADE PUBLIC OR COPIED. ALL RIGHTS OF DESIGN AND/OR INVENTION ARE RESERVED.		SHEET 1 OF 1	
		PART NUMBER BR1L-14D30W	

