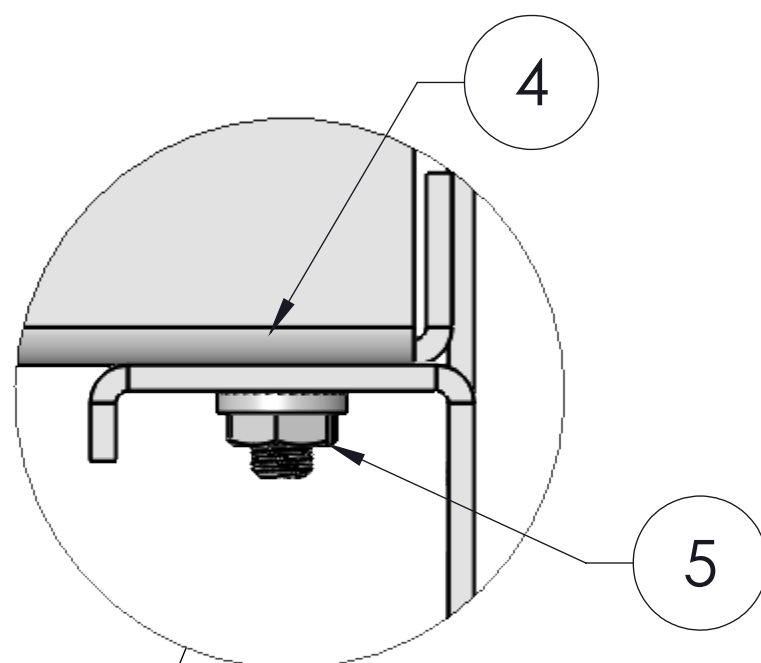
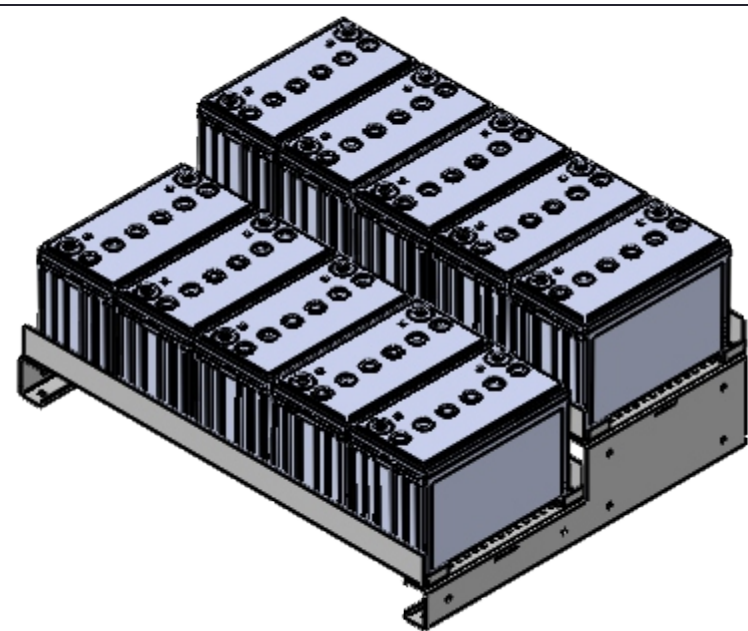
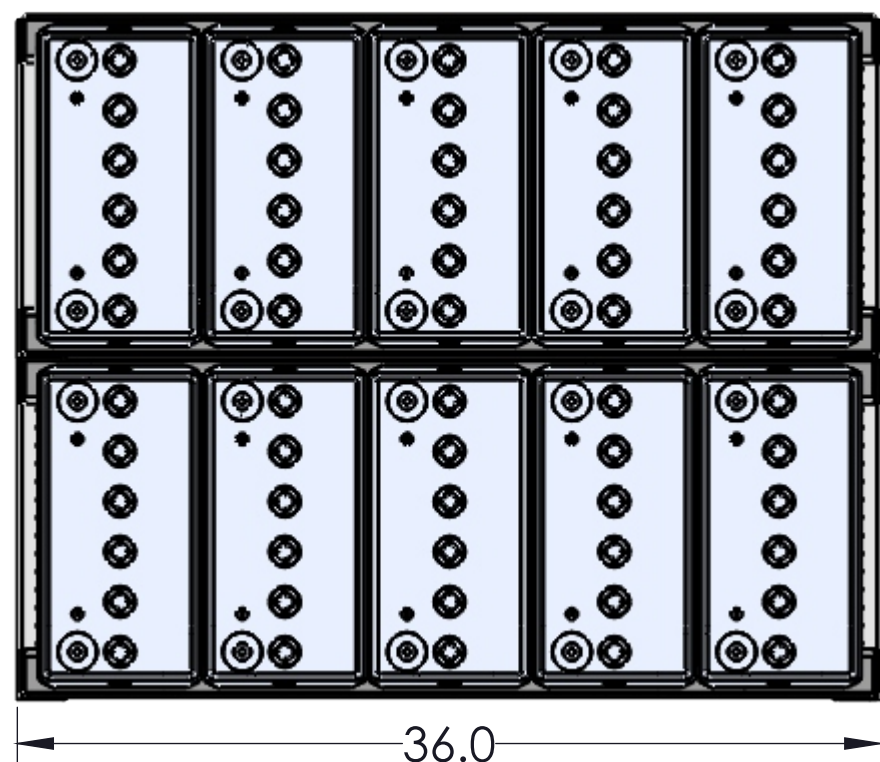


REF.



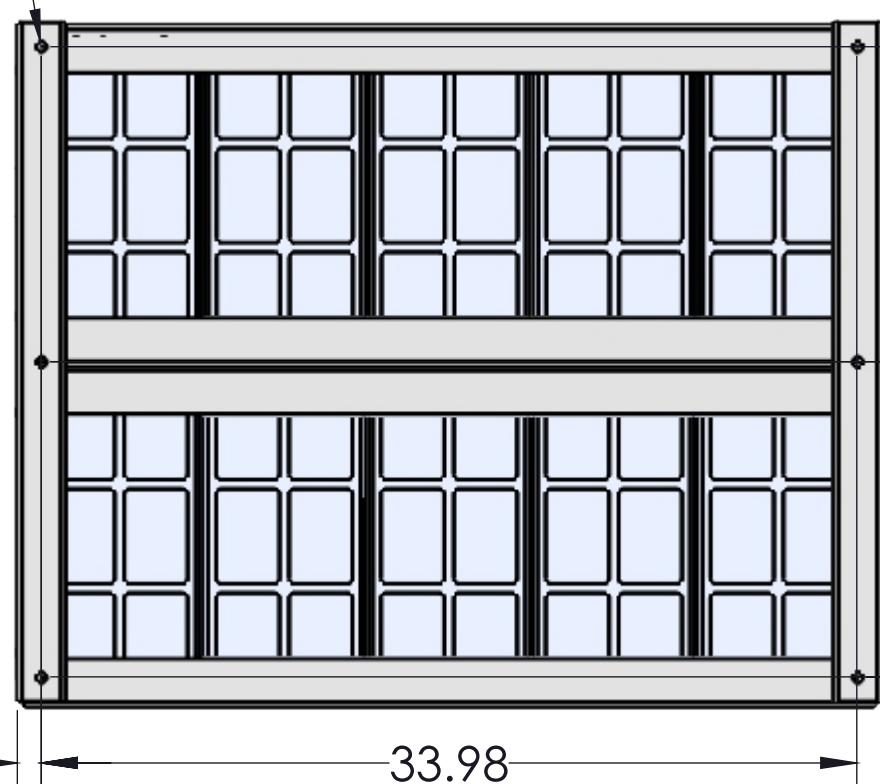
DETAIL A
SCALE 1 : 1
(CUT AWAY)



36.0



9X ϕ .44 THRU
(FOR ANCHORING RACK)



13.13
(TYP.)

13.13
(TYP.)

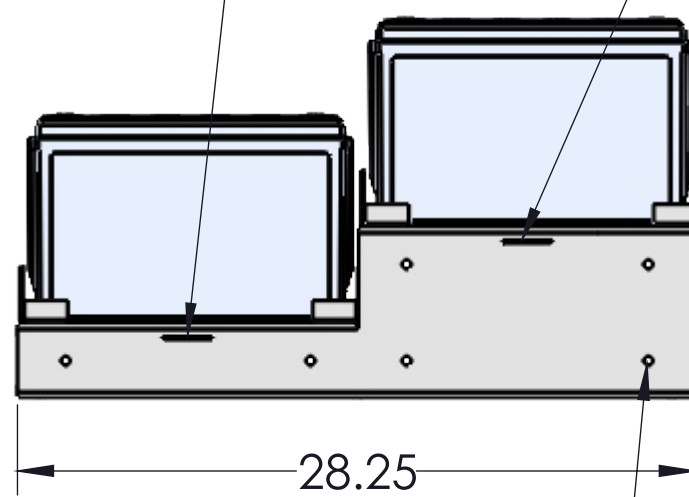
1.00 (TYP.)

33.98

1.22 (TYP.)

RUBBER INSULATION
1/16" TK X 1.5"W X 35.31"L
(CENTERED ON BATTERY RAIL)
QTY. (4)

STRAPPING SLOT
TYP. BOTH SIDES

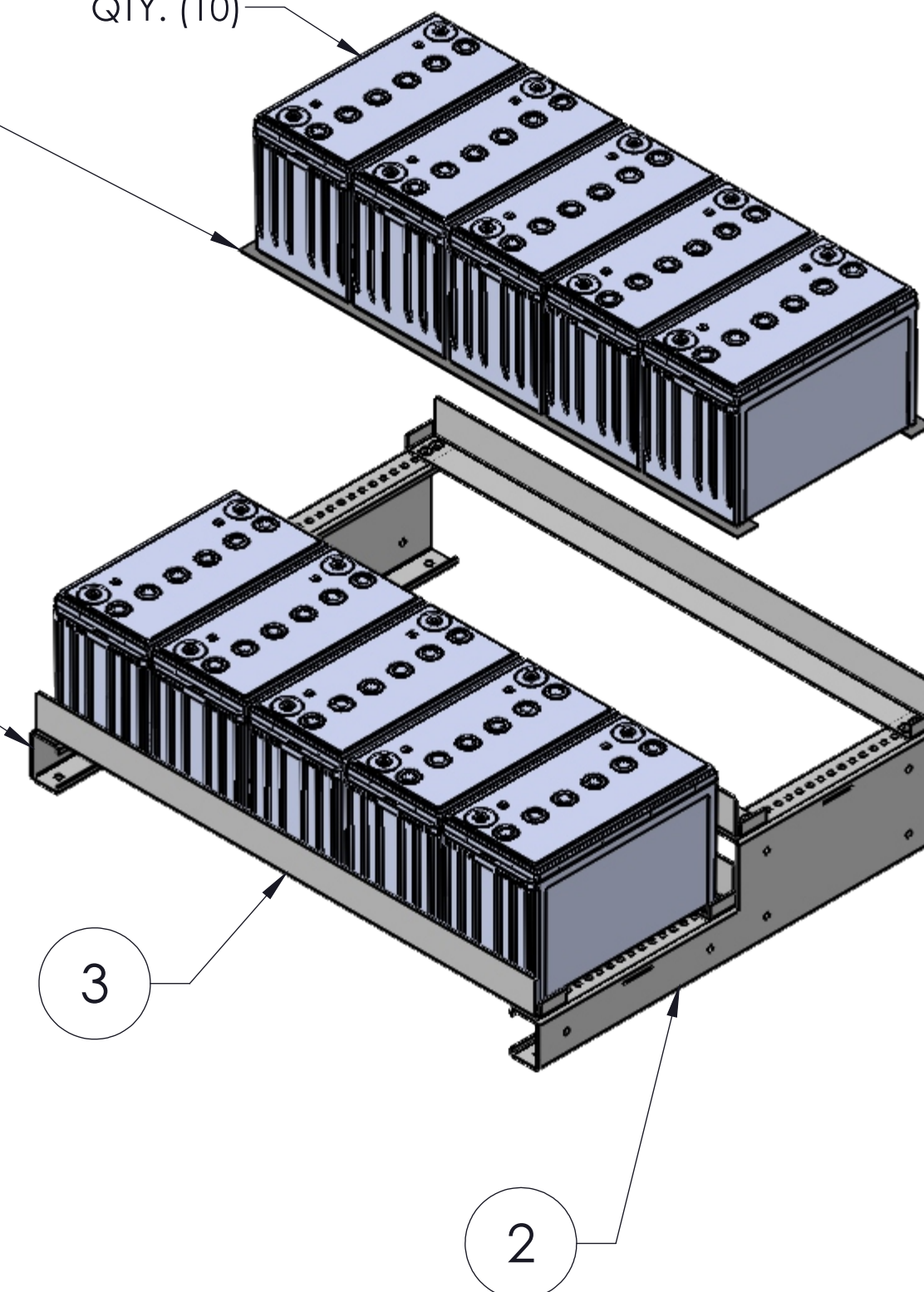


28.25

6X ϕ .38 THRU ALL
(TYP. EACH SIDE)

ITEM NO.	PART NUMBER	DESCRIPTION	Default/ QTY.
1	BR2S-0001	LEFT BASE CHANNEL	1
2	BR2S-0002	RIGHT BASE CHANNEL	1
3	BR2S-0003	BATTERY RAIL FOR 36" RACK	4
4	BRH-003	FLAT HEAD SCREW SS 5/16"-18 X 3/4"	16
5	BRH-004	5/16"-18 SS SERRATED FLANGED LOCK NUT	16

80AH-140AH
280WPC-620WPC
QTY. (10)



INSTALLATION INSTRUCTIONS:

- 1). READ ALL INSTRUCTIONS PRIOR TO INSTALLATION
- 2). VERIFY RECEIVED PARTS MATCH THE BOM
- 3). INSTALL RAILS IN APPROPRIATE MOUNTING POSITION DEPENDING ON BATTERY SIZE
- 4). INSTALL BRH-003/BRH-004 HARDWARE IN EACH MOUNTING HOLE AND TIGHTEN TO 30 FT/LBS
- 5). FOLLOW ALL APPLICABLE CODES FOR FINAL MECHANICAL/ELECTRICAL INSTALLATION
- 6). FOLLOW BATTERY MANUFACTURER'S INSTRUCTIONS FOR FINAL SYSTEM STARTUP

NOTES:

- 1). (...) -REFERENCE DIMENSIONS
- 2). REMOVE ALL BURRS AND SHARP EDGES
- 3). ALL DIM'S TO OUTSIDE SURFACE UNLESS NOTED

SYM	REVISION	DATE	SCALE
DRAWN BY AM	CHKD BY BR	10/27/20	1:8
DESCRIPTION BR2S BATTERY RACK			DWG. SIZE C
DIMENSIONS ARE IN INCHES TOLERANCES UNLESS SPECIFIED		1 PLACE DEC. ± 1	2 PLACE DEC. ± 02
THIS DRAWING IS THE PROPERTY OF ATLANTIC BATTERY. AND MUST NOT BE MADE PUBLIC OR COPIED. ALL RIGHTS OF DESIGN AND/OR INVENTION ARE RESERVED.		3 PLACE DEC. ± 005	ANGLES $\pm 5^\circ$
PART NUMBER BR2S		SHEET 1 OF 1	

