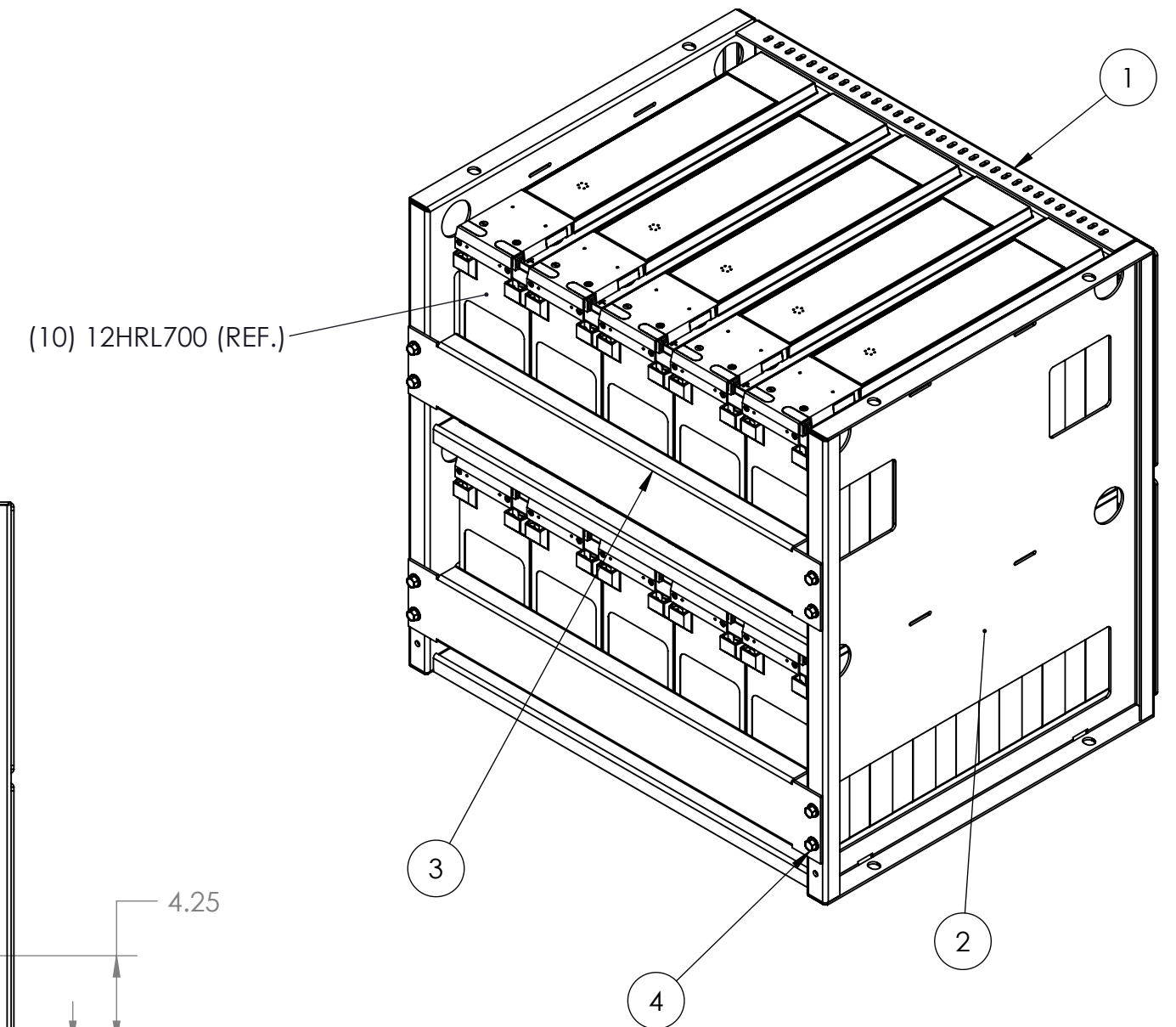
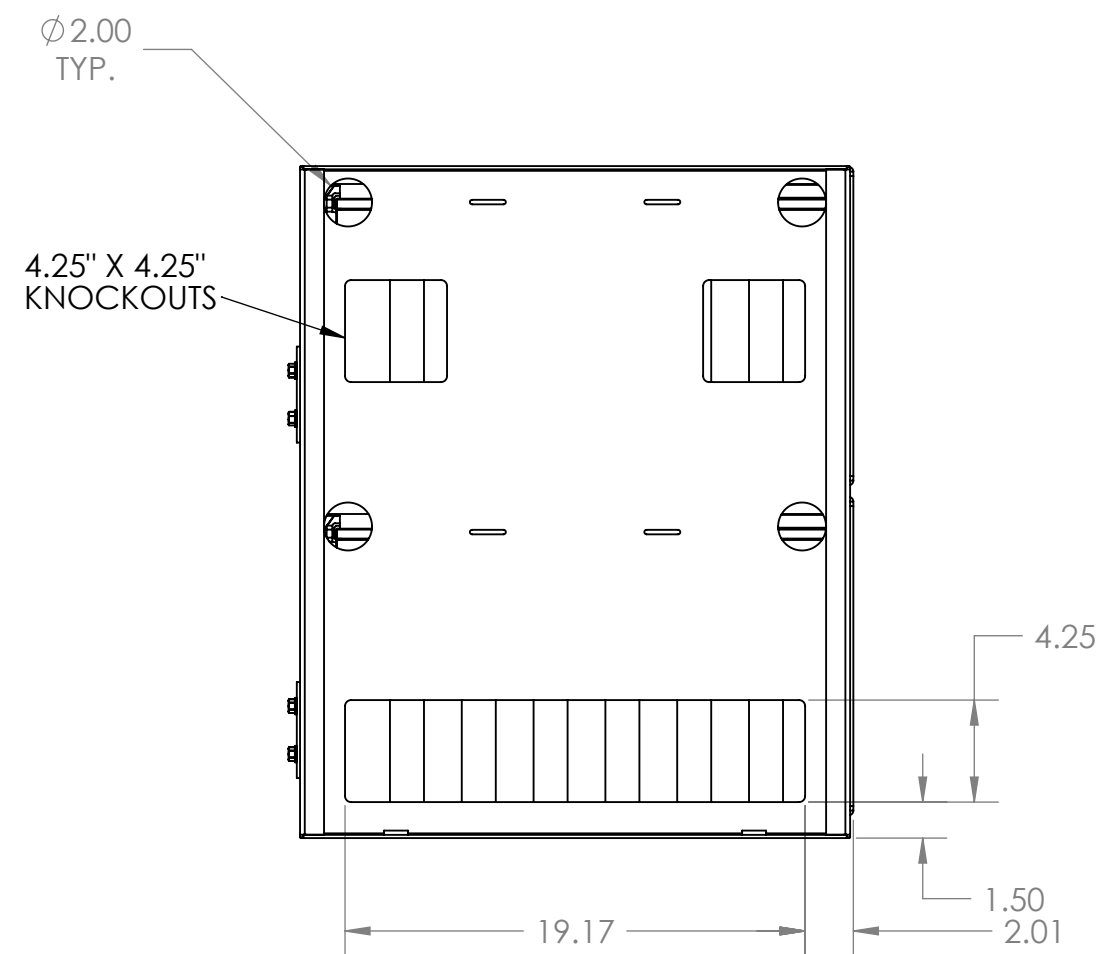
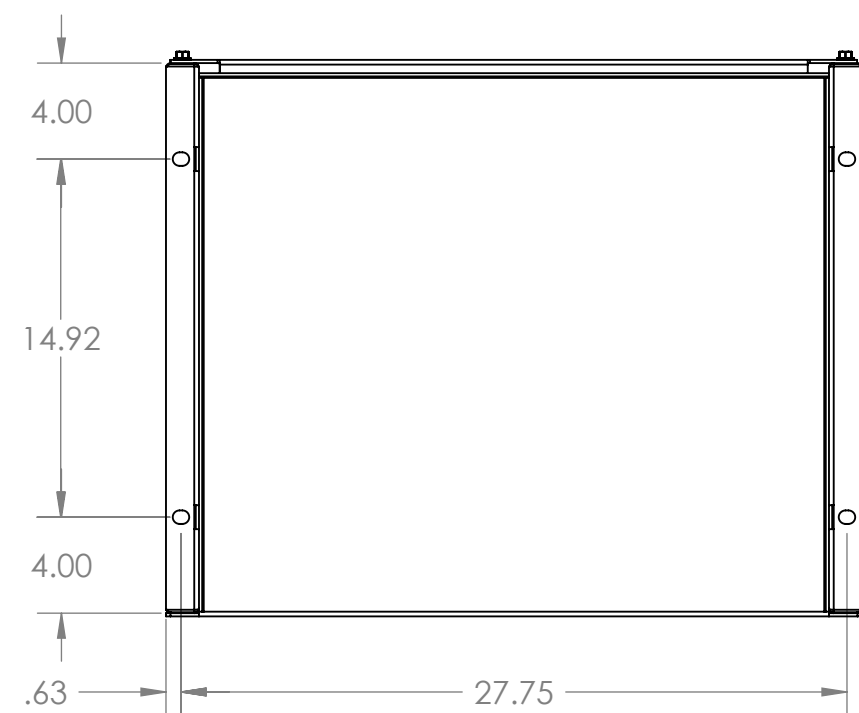
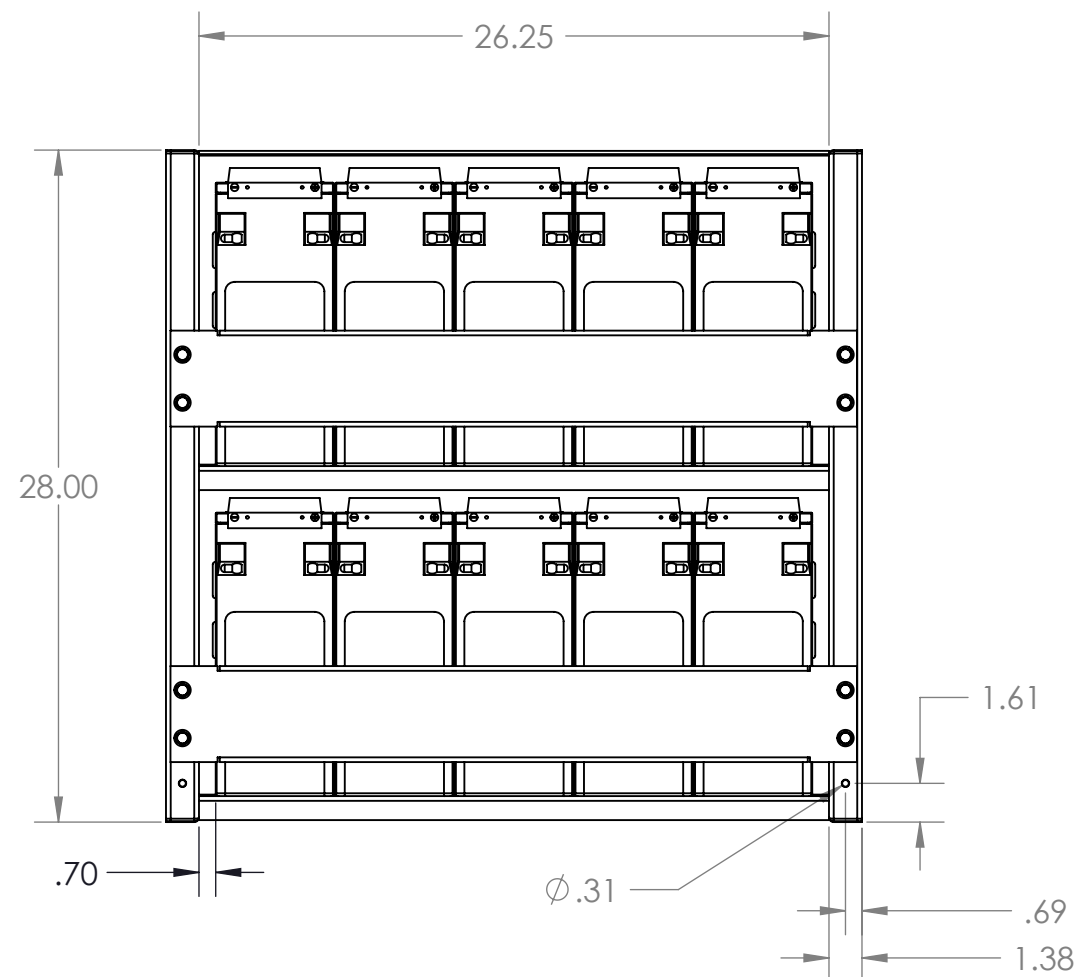
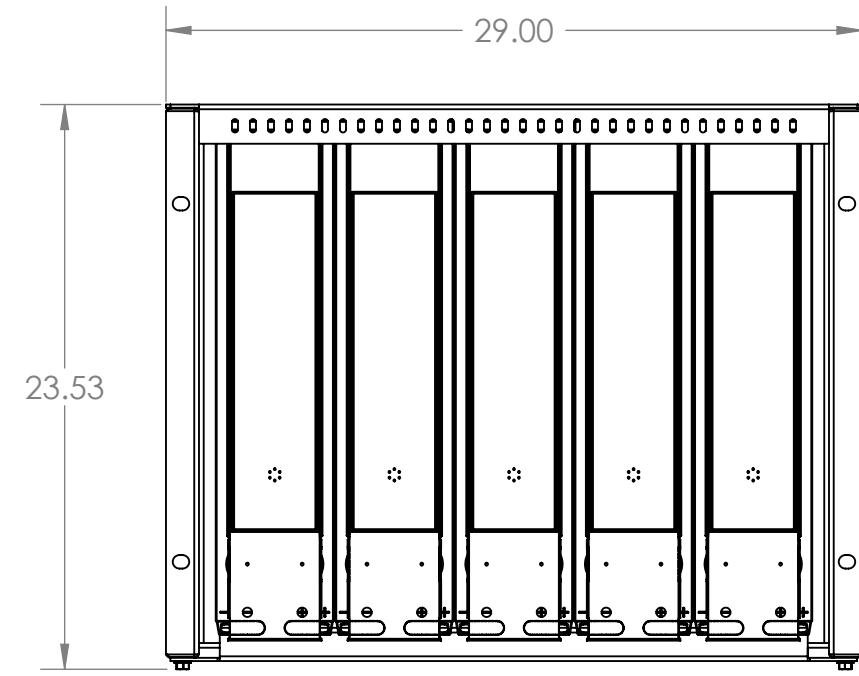


REF.



ITEM NO.	DESCRIPTION	PartNo	Default /QTY.
1	EF1-SG BATTERY TRAY	EF1SG-0001	2
2	EF1-SG SIDE PANEL	EF1SG-0001	2
3	EF1-SG FRONT SUPPORT BEAM	EF1SG-0003	2
4	5/16"-18 THREAD FORMING BOLT	EF1SG-0004	8

NOTES:

- 1). (...) -REFERENCE DIMENSIONS
- 2). REMOVE ALL BURRS AND SHARP EDGES
- 3). ALL DIM'S TO OUTSIDE SURFACE UNLESS NOTED

SYM	REVISION	DATE	SCALE
DRAWN BY	CHKD BY	DATE	SCALE
AM	BR	05/19/20	1:8
DESCRIPTION			DWG. SIZE
EF1-SG SPECIFICATION DRAWING			C
DIMENSIONS ARE IN INCHES		1 PLACE DEC.	2 PLACE DEC.
TOLERANCES UNLESS SPECIFIED		±.1	±.02
		3 PLACE DEC.	ANGLES
		±.005	±.5°
THIS DRAWING IS THE PROPERTY OF ATLANTIC BATTERY.		SHEET 1 OF 1	
AND MUST NOT BE MADE PUBLIC OR COPIED. ALL RIGHTS OF DESIGN AND/OR INVENTION ARE RESERVED.		PART NUMBER	
		EF1-SG	

