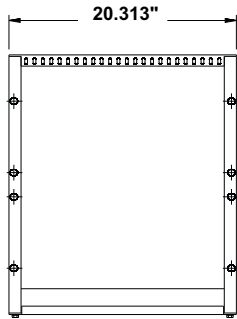
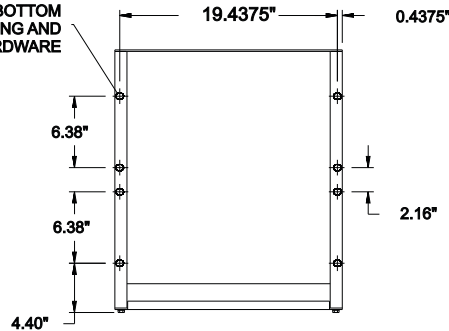


# EZ1 - Modular Rack

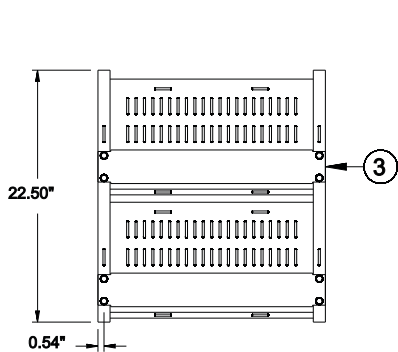


Top View

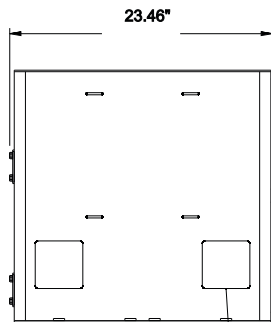
Ø0.5625" X 0.6875" SLOT  
TYP. (8) PLACES  
BOTH TOP AND BOTTOM  
USED FOR ANCHORING AND  
STACKING HARDWARE



Bottom View

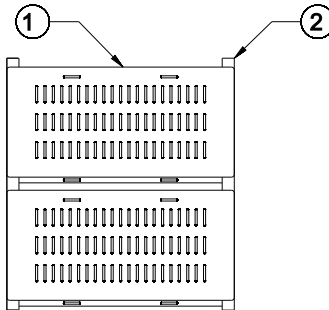


Front View

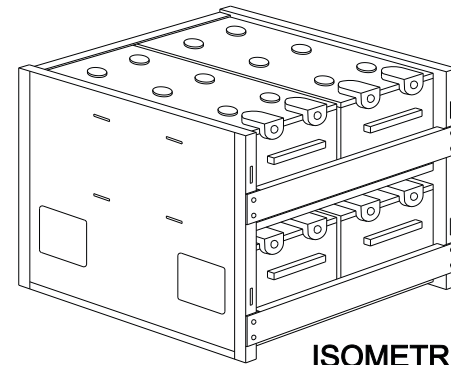


Side View

4.25"X4.25"  
SQUARE PUNCH  
QTY. (2) PER SIDE



Back View



ISOMETRIC VIEW

MAXIMUM NUMBER OF SLIM LINE BATTERIES PER RACK

MODEL #	12AVR100ET TEL12115FA TPL121000	4DHR6500 UPS12745MR UPS12680MR 12HX680FT
EZ1	8	4

## PHYSICAL SPECIFICATIONS

### MATERIALS:

- 10 GAUGE SHEET STEEL, HOT ROLLED PICKLED AND OILED. MIN. YIELD STRENGTH=57KSI
- SAE J429-Gr2 (ASTM A-307 EQUIVALENT) STEEL BOLTS; BLACK ANODIZED
- AWS E-70XX WELDING ELECTRODES

**WEIGHT:** 101 LBS.

**Paint/Color:** ELECTROSTATIC POWDER COATED TEXTURED GLOSS BLACK

NO.	DESCRIPTION	QTY.	PART NO.
3	FRONT SUPPORT BEAM	2	EZ-0021B
2	SIDE PANEL	2	EZ-0002K
1	BATTERY SHELF	2	EZ-0001H

REVISIONS			DATE:
NO.	DATE	BY	8/28/11
E	12/2/12	PD	
F			
G			
H			
I			
J			

**ABS**

Atlantic Battery Systems  
1065 Market Street  
Paterson, NJ 07513  
(973) 523-5151

DRAWING NO.: EZ1SPEC

NOT VALID UNLESS APPROVED BY: WJR

ADDED LIP ON TOP TRAY, 5/16" HARDWARE, NEW ANCHORING/STACKING SLOTS, TWO 4.25" SQUARE PUNCHES PER SIDE PANEL, AND NEW PHYSICAL SPECS.