

MORE POWER – LESS SPACE™



HIGH RATE SERIES

HR4000

- **Exclusive IPF® Technology optimizes power capacity, cell consistency, and long-term reliability**
- Advanced AGM technology for superior high rate, short term power
- Reinforced case resists bulging and meets safety requirements
- Case & cover heat sealed and 100% tested to prevent leaks
- Epoxy-sealed posts eliminate leaks
- Puncture resistant micro-porous glass mat separators extend life
- Flame arresting, low pressure, self-sealing valves are 100% factory tested
- Computer-aided design, manufacturing control processes, and standards to ensure quality products
- All batteries meet or exceed IEEE recommended practices
- Battery design and construction meet UL recognition requirements



QUALITY SYSTEM CERTIFIED
ISO 9001
ISO/TS 16949
 ENVIRONMENTAL SYSTEM CERTIFIED
ISO 14001



SPECIFICATIONS

Nominal Voltage: 12-Volt/420 w.p.c.
 @ 15 min. rate to 1.67 v.p.c.

Positive Plate: Pure lead, low-calcium, high-tin alloy

Negative Plate: Lead calcium alloy

Post Seal: Epoxy-sealed

Terminal: Top access,
 1/4" - 20 threaded insert

Container: Flame-retardant, polypropylene -
 UL 94 V-0/>28% L.O.I.

Safety Vent: Low positive pressure,
 self-sealing w/ flame arrestor

Float Voltage: 2.25 v.p.c. ± 0.01 v.p.c. (Range: 13.44
 to 13.56 volts per 6-cell battery)

Design Life: 10 years in float applications
 at 77°F (25°C)

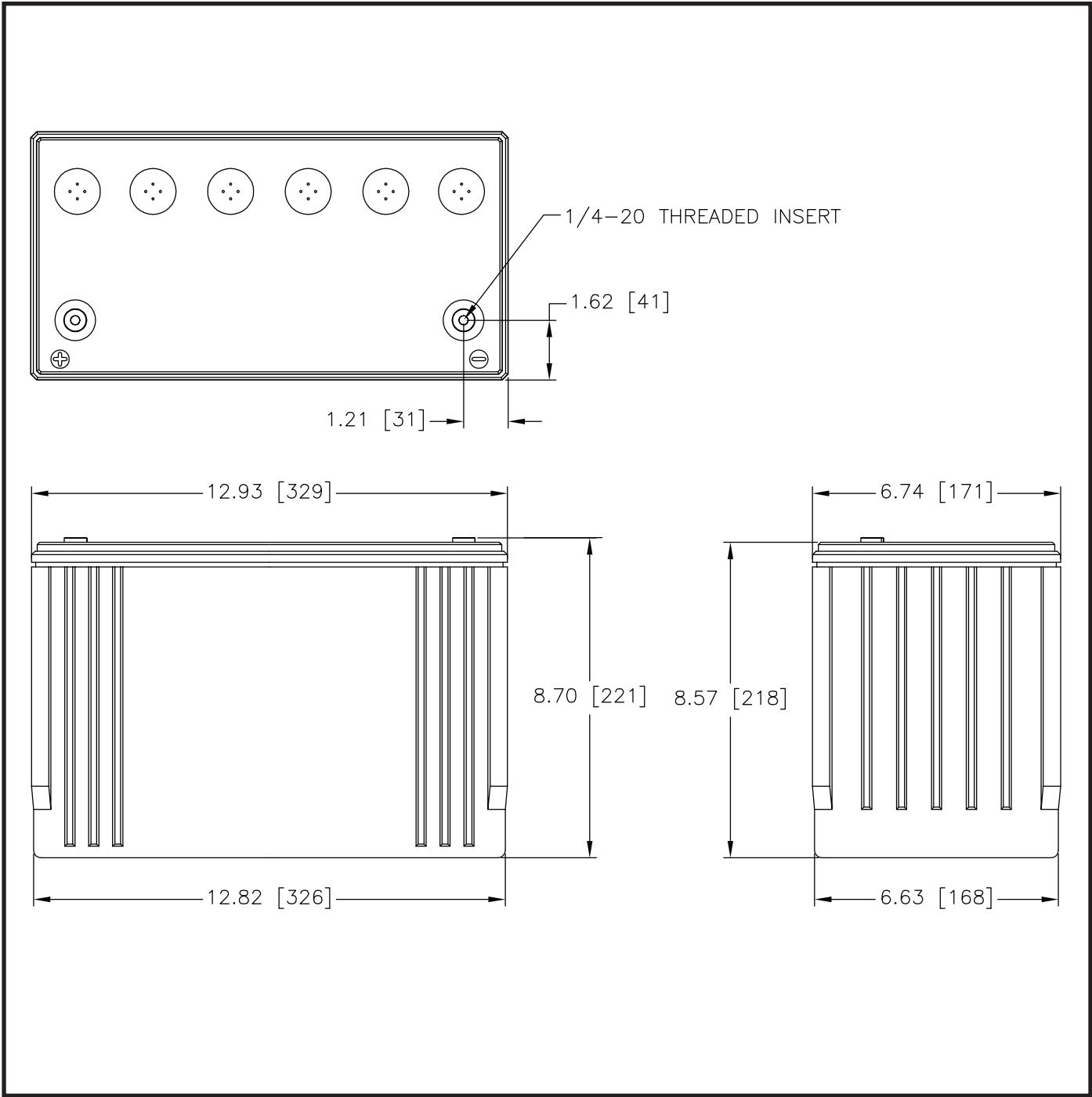
Dimensions: 12.93" (328 mm) L
 x 6.84" (173 mm) W
 x 8.70" (221 mm) H

Weight: 80 lbs. (36.2 kg)

DISCHARGE RATE IN WATTS PER CELL RATINGS @ 77°F (25°C)†

Volts Per Cell (VPC)	1 MIN.	5 MINS.	10 MINS.	15 MINS.	20 MINS.	30 MINS.	40 MINS.	50 MINS.	60 MINS.
1.60	1405	832	554	428	350	257	204	168	145
1.67	1227	780	541	420	344	254	202	167	143
1.70	1125	750	532	417	342	252	201	166	143
1.75	1027	705	506	404	335	249	198	163	140
1.80	—	640	471	381	316	237	191	159	138

† Subject to change without notice.



EAST PENN manufacturing co., inc.

Lyon Station, PA 19536-0147 • Phone: 610-682-6361 • Fax: 610-682-4781

Order Department Hotline: 610-682-4231

www.eastpennunigy.com • e-mail: sales@eastpennunigy.com

E.P.M. Form No. 2010 7/13 © 2013 by EPM Printed in U.S.A.

All data subject to change without notice.
No part of this document may be copied or reproduced, electronically or mechanically, without written permission from the company.