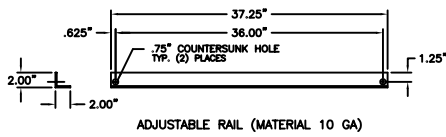


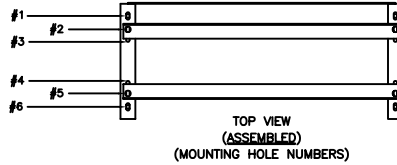
RACK ASSEMBLY INSTRUCTIONS

- READ ALL INSTRUCTIONS FULLY BEFORE ATTEMPTING TO INSTALL OR SET UP RACK.
- (A) CHECK RECEIVED PARTS AGAINST PARTS LIST BELOW.
- (B) RACK LOCATION SHOULD BE:
 1. AWAY FROM OUTSIDE SOURCES OF HEAT (DIRECT SUN-LIGHT, RADIATORS, STEAM PIPES ETC.)
 2. ON LEVEL GROUND.
 3. EASILY ACCESSIBLE FOR CELL READINGS AND WATER ADDITIONS, IF APPLICABLE (PL BATTERIES).
- (C) MARK LOCATION ON FLOOR AND POSITION FRAMES.
- (D) INSTALL BRACES ON TO FRAMES AND HAND TIGHTEN NUTS.
- (E) INSTALL RAILS IN APPROPRIATE POSITION FOR BATTERY SYSTEM TO BE USED AND HAND TIGHTEN NUTS.
- (F) CHECK THAT RAILS AND BRACES ARE IN CORRECT POSITION AND SQUARE RAIL WITH FRAME.
- (G) INSTALL RAIL INSULATION ON BOTH INSIDE SURFACES OF THE RAIL MAKING SURE THEY MEET AT THE BEND IN THE RAIL.
- (H) TIGHTEN ALL NUTS TO A 30 FT/LB TORQUE VALUE STARTING WITH BRACES FIRST, THEN RAILS.
- (I) *BOLT FRAMES TO FLOOR. FOR UBC 97 ZONE FOUR CERTIFIED RACKS, A MINIMUM OF 6" OF SPACING IS NEEDED AROUND ALL SIDES OF RACK.
- (J) USE MOUNTING HOLES #3 & 4 FOR PL-7, PL-8, PL-10, PL-11, PL-15 & PL-27 BATTERIES WHEN INSTALLING CELLS LENGTHWISE. OTHER MOUNTING HOLES MAY BE USED FOR OTHER ARRANGEMENTS WHEN SMALLER LENGTHS OF RACKS ARE REQUIRED.
- (K) ALL MOUNTING SLOTS ARE 1/2" X 1" AND SUPPLIED WITH 3/8" HARDWARE KIT.
- (L) ALL RACKS ARE MADE OF STEEL ANGLE SUPPORTS AND ARE PAINTED WITH A TEXTURED IBM WHITE ELECTROSTATIC POWDER COAT.

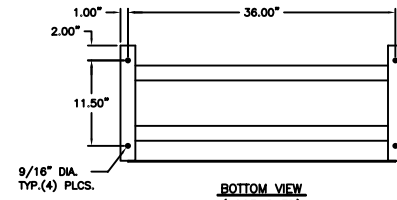
NOTE: A MINIMUM OF 6" OF SPACE IS NEEDED AROUND EACH SIDE OF RACK IN ORDER TO MEET UBC 97 SEISMIC CRITERIA.



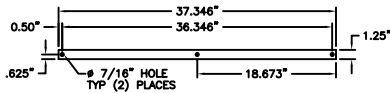
ADJUSTABLE RAIL (MATERIAL 10 GA)



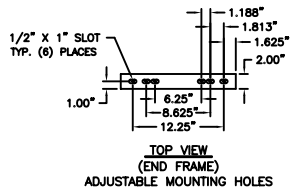
TOP VIEW (ASSEMBLED)
(MOUNTING HOLE NUMBERS)



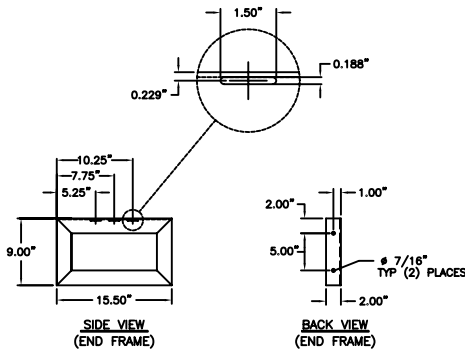
BOTTOM VIEW (ASSEMBLED)



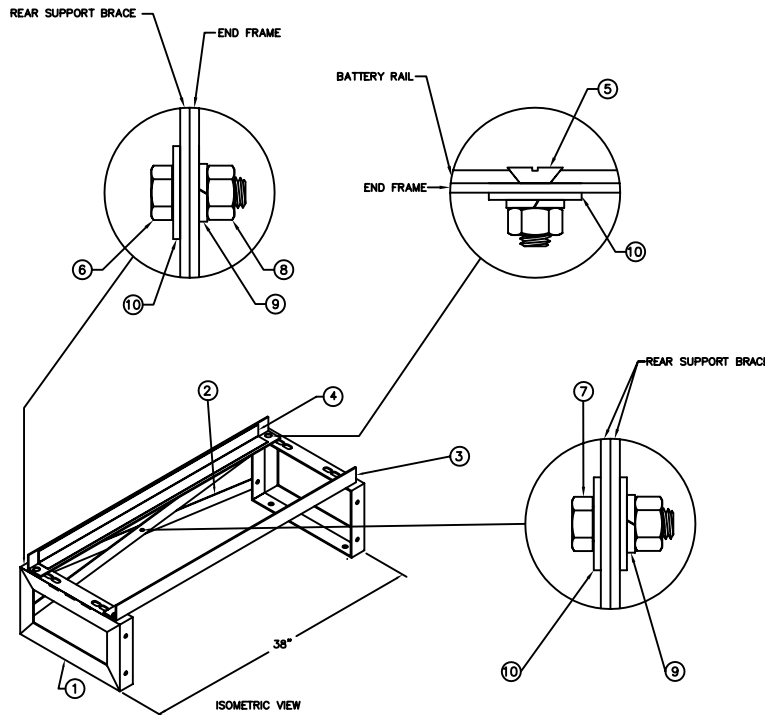
REAR SUPPORT BRACE (3/16" THICKNESS)



TOP VIEW (END FRAME)
ADJUSTABLE MOUNTING HOLES



FRAME ASSEMBLY (MATERIAL 10 GA)



SEISMIC ZONE	*ANCHORING COMPONENTS	SEISMIC SUPPORT BEAMS
1	4-#1/2"x6" ROD WITH E12 EPOXY CAPSULES	NOT REQUIRED
2A	4-#1/2"x6" ROD WITH E12 EPOXY CAPSULES	NOT REQUIRED
2B	4-#1/2"x6" ROD WITH E12 EPOXY CAPSULES	NOT REQUIRED
3	4-#1/2"x6" ROD WITH E12 EPOXY CAPSULES	NOT REQUIRED
4	4-#1/2"x6" ROD WITH E12 EPOXY CAPSULES	NOT REQUIRED

*SEE ANCHORING INSTRUCTION DRAWING ANC-9001.

HARDWARE KIT: HK-0005		
10	3/8" FLAT WASHER	10
9	3/8" SPLIT LOCK WASHER	9
8	3/8" HEX NUT	9
7	3/8" X 1 1/2" HEX HEAD SCREW	1
6	3/8" X 1 1/4" HEX HEAD SCREW	4
5	3/8" X 1" COUNTERSUNK FLAT HEAD SCREW	4
NO.:	DESCRIPTION:	QTY.:

4	BATTERY RAIL INSULATION KIT	1	RB38-BRI
3	ADJUSTABLE BATTERY RAILS	2	RB38-ABR
2	REAR SUPPORT BRACE	2	RB38-B
1	END FRAME	2	RB38-RF
NO.:	DESCRIPTION:	QTY.:	PART NO.:

REVISIONS			DATE:
NO.	DATE	BY	03/16/11
E			SCALE:
F			NONE
G			DRAWN BY:
H			Luis
I			NOT VALID UNLESS APPROVED BY:
J			

Atlantic Battery Systems, Inc.
 RB38 ASSEMBLY DRAWING ONE TIER
 SEISMIC ZONE 1-4 CERTIFIED BATTERY RACK
 DRAWING NO.: RB38