



# XP Series-Ultra High Rate

## XP12-210(12V210W)

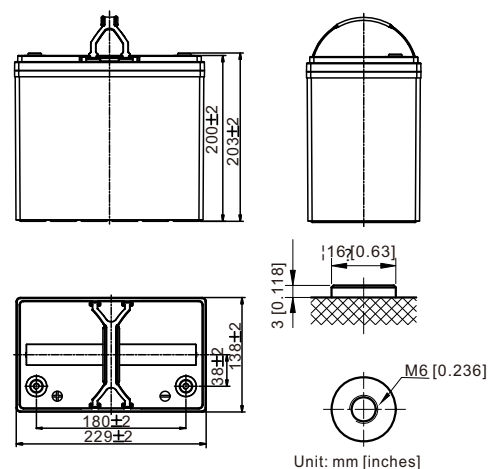


### Specifications

Rated Voltage	12V	
Nominal Rate ( $W_{15}, 1.67V/cell$ )	225.1W/cell	
Nominal Capacity( $C_{20}, 1.80V/cell$ )	55Ah	
Dimension	Length	229±2mm (9.02 inches)
	Width	138±2mm (5.43 inches)
	Container Height	200±2mm (7.87 inches)
	Total Height	203±2mm (7.99 inches)
Approx. Weight	17.7 Kg (39.0 lbs)	
Terminal	M6	
Container Material	ABS	
Rated Capacity (25°C)	55.0 Ah	(20hr, 2.75A, 1.80V/cell)
	52.6 Ah	(10hr, 5.26A, 1.80V/cell)
	47.4 Ah	(5hr, 9.47A, 1.75V/cell)
	43.8 Ah	(3hr, 14.6A, 1.75V/cell)
	37.8 Ah	(1hr, 37.8A, 1.67V/cell)
Max. Discharge Current	825A	
Internal Resistance (25°C)	Approx. 5.0mΩ	
Operating Temp. Range	Discharge	-15 ~ 50°C (5 ~ 122°F)
	Charge	0 ~ 40°C (32 ~ 104°F)
	Storage	-15 ~ 40°C (5 ~ 104°F)
Nominal Operating Temp. Range	25±3°C (77±5°F)	
Max. Charging Current(25°C)	16.5A	
Charge voltage(25°C)	Float	13.5V
	Temp. Coefficient	-3mV/cell/°C
	Equalization	14.1~14.4V
Effect of temp. to Capacity	40°C (104°F)	103%
	25°C (77°F)	100%
	0°C (32°F)	86%
Self Discharge	≤3%/month @ 25°C	



### Layout



### Constant Current Discharge (Amperes) at 25 °C (77°F)

F.V/Time	5min	10min	15min	20min	30min	45min	1h	2h	3h	4h	5h	6h	8h	10h	20h
1.85V/cell	134.8	100.4	84.5	72.8	55.8	40.6	32.5	19.2	13.7	10.8	8.99	7.75	6.16	5.13	2.64
1.80V/cell	160.4	114.2	95.7	80.2	60.0	43.0	34.2	20.0	14.2	11.2	9.28	7.97	6.33	5.26	2.75
1.75V/cell	185.3	126.4	103.4	85.8	62.8	45.0	35.4	20.6	14.6	11.4	9.47	8.13	6.45	5.36	2.81
1.70V/cell	200.9	137.7	110.9	91.2	66.0	46.6	36.6	21.0	15.0	11.7	9.69	8.32	6.59	5.45	2.86
1.67V/cell	217.6	145.5	118.7	96.0	68.3	48.2	37.8	21.6	15.2	11.9	9.88	8.49	6.71	5.56	2.91
1.60V/cell	234.2	155.6	123.8	100.0	70.8	49.9	38.9	22.0	15.5	12.2	10.1	8.73	6.88	5.68	2.99

### Constant Power Discharge (Watts/cell) at 25 °C (77°F)

F.V/Time	5min	10min	15min	20min	30min	45min	1h	2h	3h	4h	5h	6h	8h	10h	20h
1.85V/cell	262.3	196.5	166.3	143.9	110.9	81.1	65.0	38.5	27.7	21.9	18.3	15.8	12.6	10.5	5.46
1.80V/cell	308.7	221.1	186.4	157.0	118.1	85.3	68.0	39.9	28.6	22.5	18.8	16.2	12.9	10.8	5.65
1.75V/cell	353.2	242.4	199.6	166.5	122.7	88.3	70.0	41.0	29.2	22.9	19.0	16.4	13.1	10.9	5.75
1.70V/cell	378.4	261.2	211.5	175.2	127.6	90.6	71.8	41.4	29.7	23.3	19.3	16.7	13.3	11.0	5.81
1.67V/cell	406.6	274.0	225.1	183.2	131.4	93.3	73.7	42.3	30.0	23.6	19.6	16.9	13.4	11.2	5.89
1.60V/cell	432.7	289.8	232.3	189.0	134.8	95.6	75.2	42.7	30.4	24.0	20.0	17.2	13.6	11.3	5.98



# XP Series-Ultra High Rate

## XP12-210(12V210W)



### Applications

- UPS
- Hospitals & Testing Laboratories
- Emergency Power Supply
- Electric starting
- Telecommunications
- Data Centers

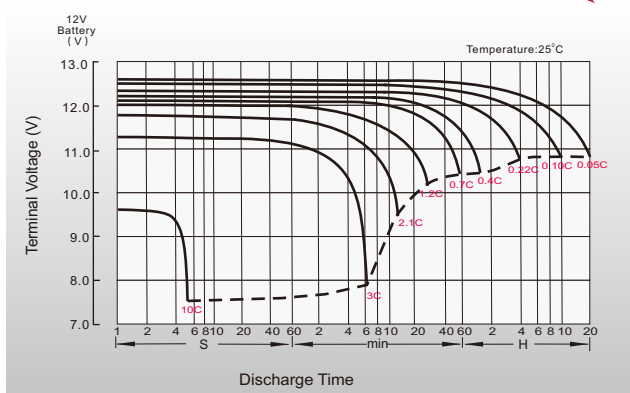
### General Features

- Special designed grids for optimized high power density
- Oversized partition intercell welds, providing low resistance connections & minimal power loss
- Advanced lead tin calcium alloy, reduces grid corrosion & promotes long battery life
- Performance excels at high rates of discharge & recharge
- High integrity post seal for long life

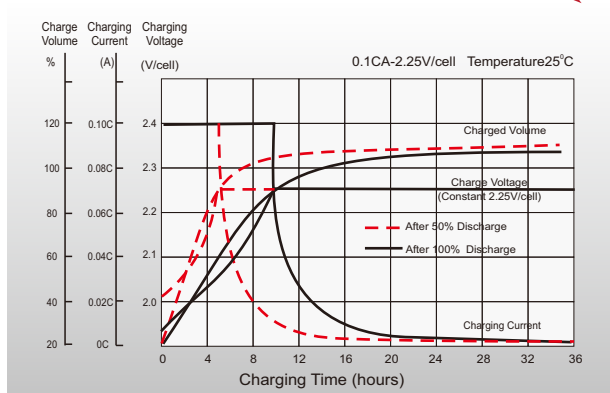
### Standards

- Compliance with IEC 60896 standards
- Classified as "Very Long Life" according to Eurobat
- CE, UL Certified
- Manufactured in Leoch®TS16949, OHSAS 18001, ISO 9001 and ISO 14001 certified production facilities

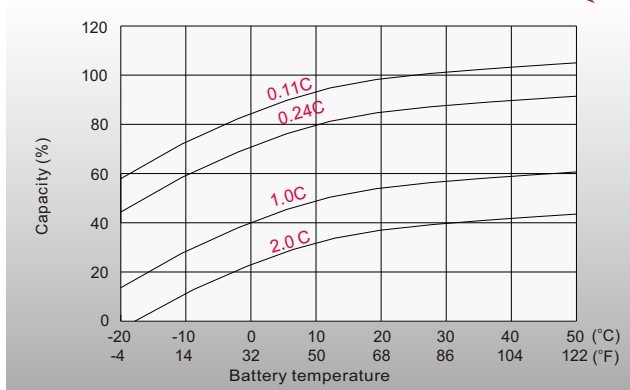
### Discharge Characteristics



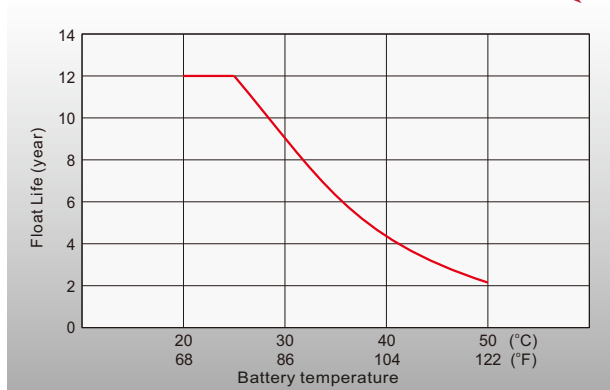
### Float Charging Characteristics



### Temperature Effects in Relation to Battery Capacity



### Temperature Effects on Long Term Float Life



## Sales Offices Worldwide

#### China Sales Office

5th Floor, Xinhaohui Bldg., Nanhai Blvd.,  
Nanshan, Shenzhen, China. 518052  
Tel: +86-755-86036060 (100 lines)  
Fax: +86-755-26067269  
E-mail: export@leoch.com

#### HongKong Sales Office

Workshop C, 33/F, TML Tower, No. 3 Hoi Shing Road,  
Tsuen Wan, New Territories, Hong Kong  
Tel: +852 35786666  
Fax: +44 1452 690125  
E-mail: sales.hk@leoch.com

#### Singapore Sales Office

No. 1 Tech Park Crescent,  
Singapore 638131  
Tel: +65 68636078  
Fax: +65 6863 6079  
Email: sales.sg@leoch.com

#### Australia Sales Office

2 /29 Tarlington Place, Smithfield. NSW 2164  
Australia  
Tel: 02 9756 0950  
E-mail: sales.au@leoch.com

#### North America Sales Office

19751 Descartes  
Foothill Ranch, CA 92610, USA  
Tel: 949-588-5853  
Fax: 949-588-5966  
E-mail: sales@leoch.us

#### UK Sales Office

9B Wheatstone Court, Waterwells, Business Park,  
Gloucester, GL2-2AQ, UK United Kingdom  
Tel: +44(0) 1452 729428 / 1452 729696  
Fax: +44 1452 690125  
E-mail: Sales.Europe@leoch.com

#### EMEA Sales Office

1 Deligiorgi St., 121 31 Athens,  
Greece  
Tel: +30 210 5760318 (2 lines)  
E-mail: support\_EMEA@leoch.com

#### India Sales Office

Shed no. A-53(b), 2nd Stage of Peenya Industrial Area,  
Bangalore North Taluk, Bangalore-560058, India  
Tel: +91-80-23440018/23440019  
Fax: +91-80-23440017  
E-mail: indiasales@leoch.com



<http://www.leoch.com>  
<http://www.leoch.us>

© 2018 LEOCH. All rights reserved.

Trademarks and logos are the property of LEOCH and its affiliates unless otherwise noted.  
Subject to revisions without prior notice.

Publication No.: LB-XP12-210-PD-EN-V2.0-201811